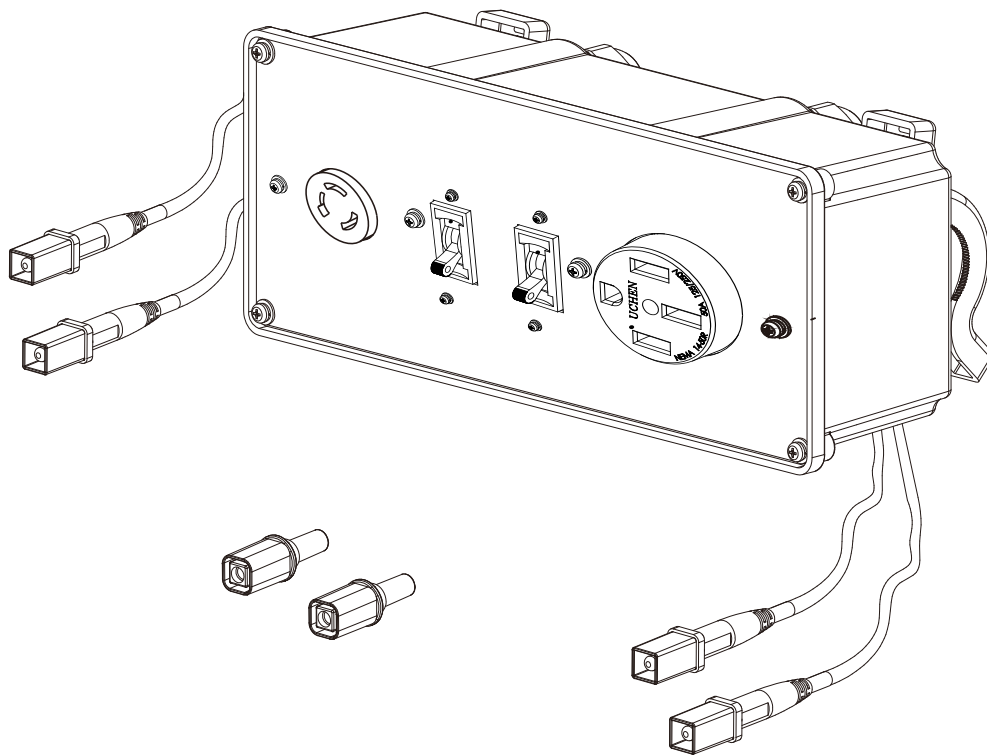


# NEWMAN

## PARALLEL OPERATION KIT



**SAVE THESE INSTRUCTIONS**  
Important Safety Instructions are included in this manual.

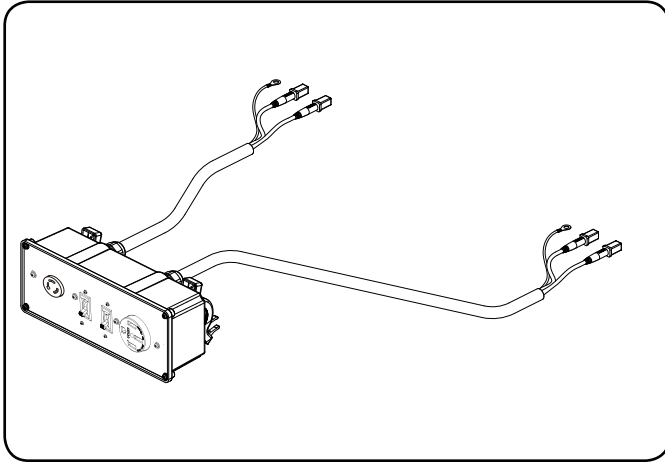
**949575**

# ASSEMBLY AND OPERATION

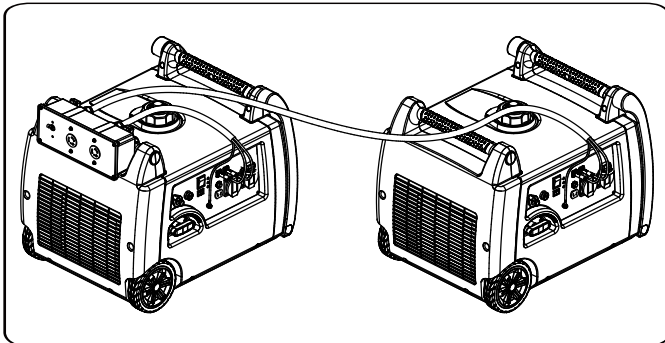
This kit is intended for use on 3000/3500 Watt Inverter Generators.

Please refer to your Inverter Owner's Manual for safety rules, start up and shut down procedures, specifications and troubleshooting.

## Setup and Operation

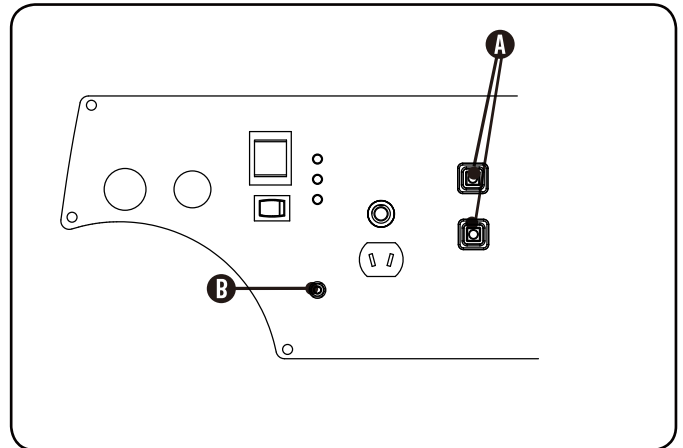


1. The two generators may be stacked one on top of the other by aligning the lower pads and upper pockets at each corner of the generators.

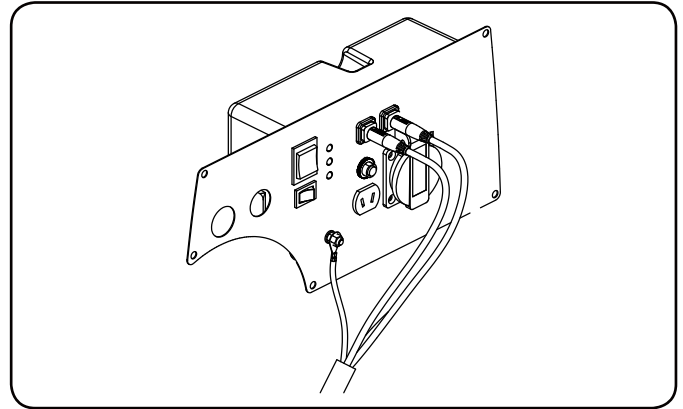


2. Disconnect or turn off all electrical loads from both generators.
3. The ECON switch must be in the same position on both generators.
4. Remove caps from the power leads
5. Plug one pair of power leads (A), and ground wire (B) to inverter #1.

## Setup and Operation Cont'd.

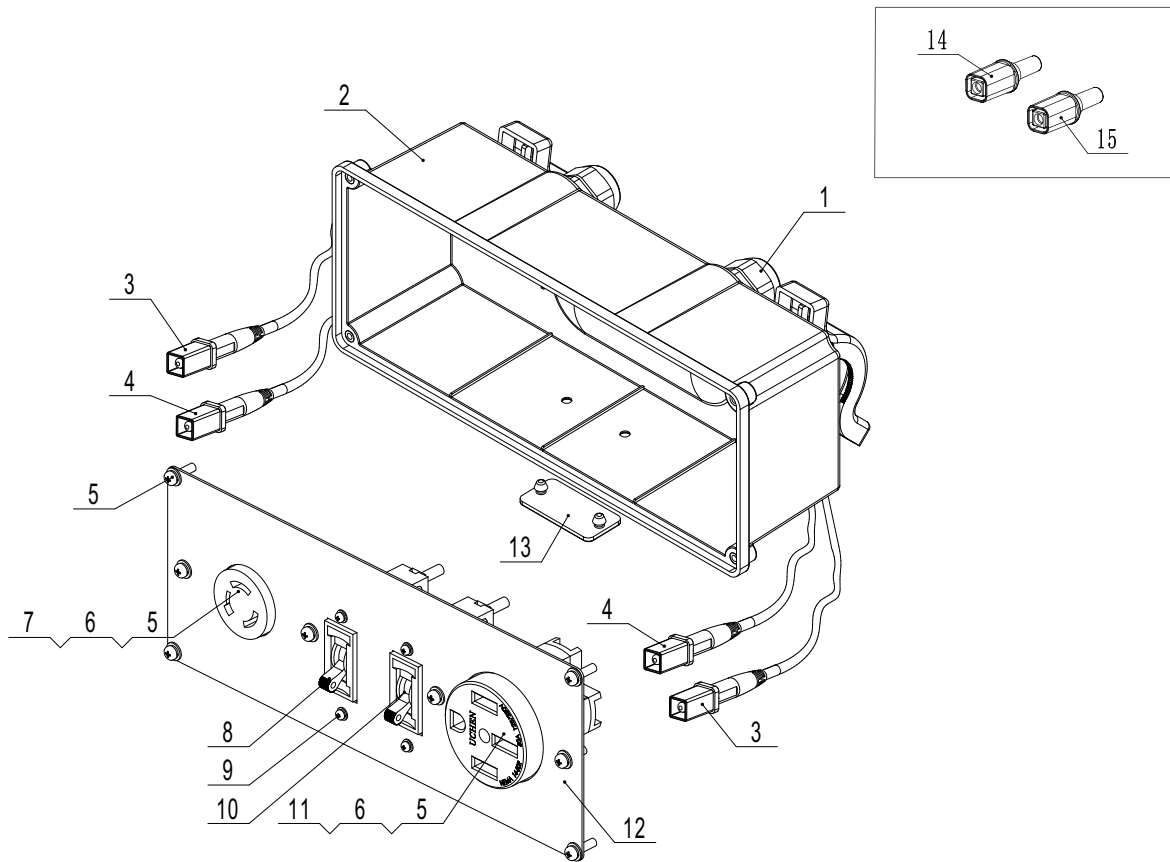


6. Plug the other pair of power leads (A), and ground wire (B) to inverter #2.



7. Start engines of both inverters according to your Inverter Owner's Manual. Observe the green output indicator light on both generator panels – The light will blink during start up. When the light is steady you may connect devices.
8. Connect devices to parallel panel or generator panel receptacles. Loads up to 25 amps may be connected to the parallel kit receptacles. Individual loads connected to generator panels must be less than the 15 amp panel receptacle rating.
9. The total electrical load must not exceed (5500watts/25amps) & (6200watts/28amps).
10. Follow the instructions in your Inverter Owner's Manual for turning off the generators.
11. Pull "sleeve" of communication cable to disconnect.

## Parts Diagram and List



No	Part Number	Description	QTY
1	83.210003.01	Plug, Wire	2
2	83.213001.00	Control Box	1
3	83.210006.00.3	Plug, Parallel, Wire 280 mm, Red	2
4	83.210006.01.1	Plug, Parallel, Wire 250 mm, Black	2
5	1.9074.4.0414.1	Screw/Washer Assembly M4x14	8
6	1.6177.1.04.1	Lock Nut M3,Flange	4
7	5.1120.001	Receptacle	1
8	5.1230.300	30 Amp Circuit Breaker, Single Pole	1
9	1.9074.4.0306.1	Screw/Washer Assembly, M3 x 6	4
10	5.1230.500	50 Amp Circuit Breaker, Single Pole	1
11	5.1120.039	Receptacle	1
12	83.213100.07.2	Control Panel	1
13	83.213004.00	Rubber Insert	1
14	9.1700.002.1	Adaptor Plug, Parallel, Black	1
15	9.1700.002.3	Adaptor Plug, Parallel, Red	1

# WARRANTY

---

## WARRANTY

### 1 YEAR LIMITED WARRANTY

#### Warranty Qualifications

We will register this warranty upon receipt of your Warranty Registration Card and a copy of your sales receipt from one of our retail locations as proof of purchase. Please submit your warranty registration and your proof of purchase within ten (10) days of the date of purchase.

#### Repair/Replacement Warranty

We warrants to the original purchaser that the mechanical and electrical components will be free of defects in material and workmanship for a period of one year (parts and labor) from the original date of purchase and 90 days (parts and labor) for commercial and industrial use. Transportation charges on product submitted for repair or replacement under this warranty are the sole responsibility of the purchaser. This warranty only applies to the original purchaser and is not transferable.

#### Do Not Return The Unit To The Place Of Purchase

Contact our Technical Service and we will troubleshoot any issue via phone or e-mail. If the problem is not corrected by this method, we will, at its option, authorize evaluation, repair or replacement of the defective part or component at a we Service Center. We will provide you with a case number for warranty service. Please keep it for future reference. Repairs or replacements without prior authorization, or at an unauthorized repair facility, will not be covered by this warranty.

#### Warranty Exclusions

This warranty does not cover the following repairs and equipment:

##### Normal Wear

Products with mechanical and electrical components need periodic parts and service to perform well. This warranty does not cover repair when normal use has exhausted the life of a part or the equipment as a whole.

##### Installation, Use and Maintenance

This warranty will not apply to parts and/or labor if the product is deemed to have been misused, neglected, involved in an accident, abused, loaded beyond the product's limits, modified, installed improperly or connected incorrectly to any electrical component. Normal maintenance is not covered by this warranty and is not required to be performed at a facility or by a person authorized by our company

#### Other Exclusions

This warranty excludes:

- Cosmetic defects such as paint, decals, etc.
- Wear items such as filter elements, o-rings, etc.
- Accessory parts such as starting batteries, and storage covers.
- Failures due to acts of God and other force majeure events beyond the manufacturer's control.
- Problems caused by parts that are not original our parts.

#### Limits of Implied Warranty and Consequential Damage

We disclaims any obligation to cover any loss of time, use of this product, freight, or any incidental or consequential claim by anyone from using this generator.

THIS WARRANTY IS IN LIEU OF ALL OTHER WARRANTIES, EXPRESS OR IMPLIED, INCLUDING WARRANTIES OF MERCHANTABILITY OR FITNESS FOR A PARTICULAR PURPOSE.

A unit provided as an exchange will be subject to the warranty of the original unit. The length of the warranty governing the exchanged unit will remain calculated by reference to the purchase date of the original unit.

This warranty gives you certain legal rights which may change from state to state. Your state may also have other rights you may be entitled to that are not listed within this warranty.