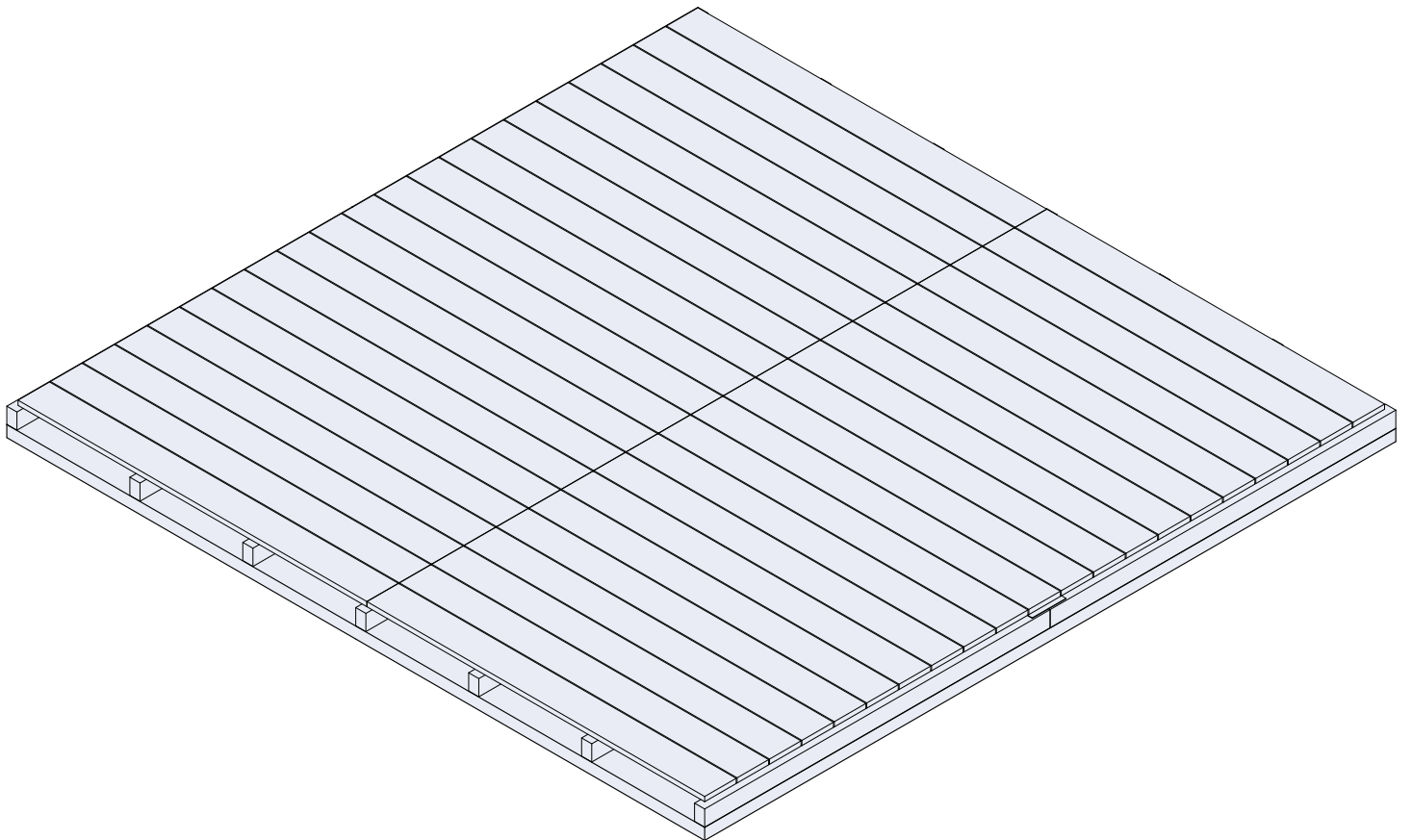


tradetested

WOODEN FLOORING KIT MANUAL

GENERAL INSTRUCTIONS FOR ALL KITS
SIZES AND DIMENSIONS WILL VARY



Before you begin

- Check local building codes regarding location and any other local requirements.
- Check the component list on pages 3-7 to make sure you have all of the necessary parts.
- Separate everything in the packages by the size and dimensions of each part while reviewing the parts list.
- Be sure the day you select to build your flooring is dry and calm.
- Whenever possible, two or more people should work together to assemble the flooring. We suggest that one person positions parts while the other handles the fasteners and tools.

Selecting & Preparing Your Site

Before assembly, decide on a location for your building. We recommend a level area with good drainage. Allow enough space around the building so there's plenty of room to assemble the shed on top and move the different parts into position. Remember to leave plenty of room for the door to fully open.

Notes

The timber used to manufacture this shed flooring has been treated to protect it against rot and decay. Ensure you wash your hands after use with warm soapy water. If you have skin allergies, we recommend you use gloves when handling the timber

NATURAL MOVEMENT OF TIMBER

As timber is a naturally grown product, shrinkage of the boards can occur after installation. This is perfectly natural as the floor settles down. As boards shrink you may experience small gaps between some boards. This movement occurs between hot and cold weather as the boards take up, and release moisture in the atmosphere.

The floor will still perform well during these changes. Nails may also move slightly as the flooring shrinks down after a few months, causing squeaking and some movement in the boards. To rectify, hammer the nails in further.

Assembly Overview

Step 1: Check all parts against the parts list

Step 2: Assemble the bearers

Step 3: Lay Out the bearers

Step 4: Square the bearers

Step 5: Lay Out the floorboards

Step 6: Repeat for Large Sheds

Step 7: Finishing touches

You Will Need...

- Hammer
- Tape measure
- Pencil
- Gardening or work gloves
- Close toed shoes
- A level site

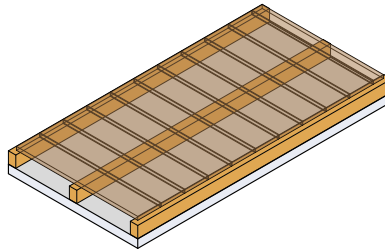
ASSEMBLY INSTRUCTIONS

WOODEN FLOORING KIT

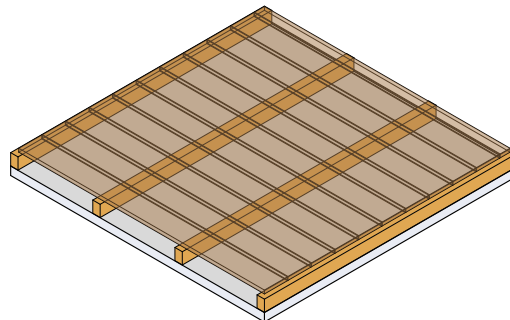
1 Check all parts against the parts list

PARTS LIST

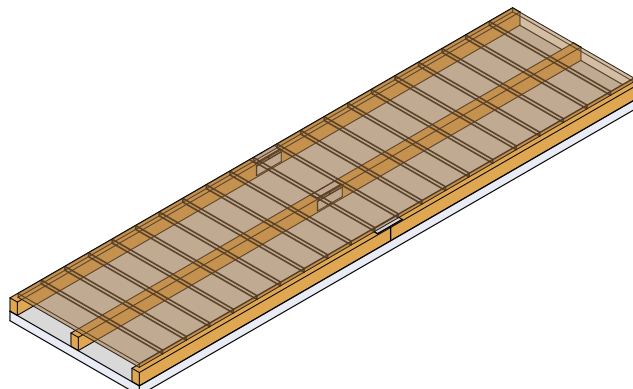
GS501 1.55 x 0.79m	NAME	SIZE (mm)	QTY
	Bearer (H4 treated)	1550L x 50W x 75H mm	3
	Floor Boards (H3.2 treated)	735L x 150W x 19H mm	10
	Nails (Galvanised)	60 x 2.8Ø mm	63



GS502 1.55 x 1.55m	NAME	SIZE (mm)	QTY
	Bearer (H4 treated)	1550L x 50W x 75H mm	4
	Floor Boards (H3.2 treated)	1495L x 150W x 19H mm	10
	Nails (Galvanised)	60 x 2.8Ø mm	84



GS503 3.07 x 0.79m	NAME	SIZE (mm)	QTY
	Bearer (H4 treated)	1535L x 50W x 75H mm	6
	Floor Boards (H3.2 treated)	735L x 150W x 19H mm	20
	Nails (Galvanised)	60 x 2.8Ø mm	126
	Nail Plates (Galvanised)	6T5 180 x 34 mm	6
	Nail Plates (Galvanised)	6T10 180 x 68 mm	3



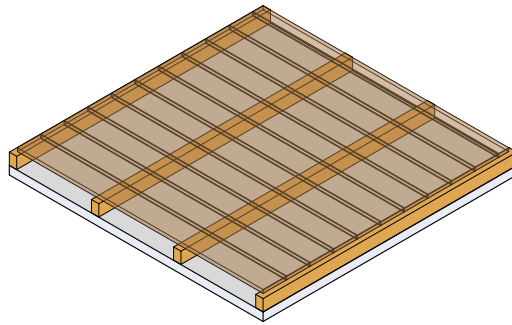
If you're missing anything, just head to www.tradetested.co.nz and get in touch.

WOODEN FLOORING KIT

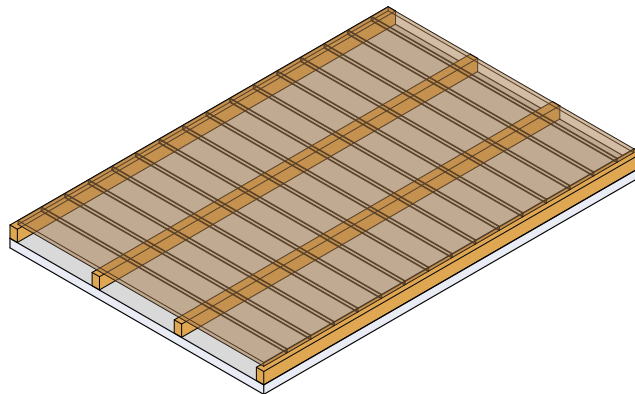
1 Check all parts against the component list

PARTS LIST

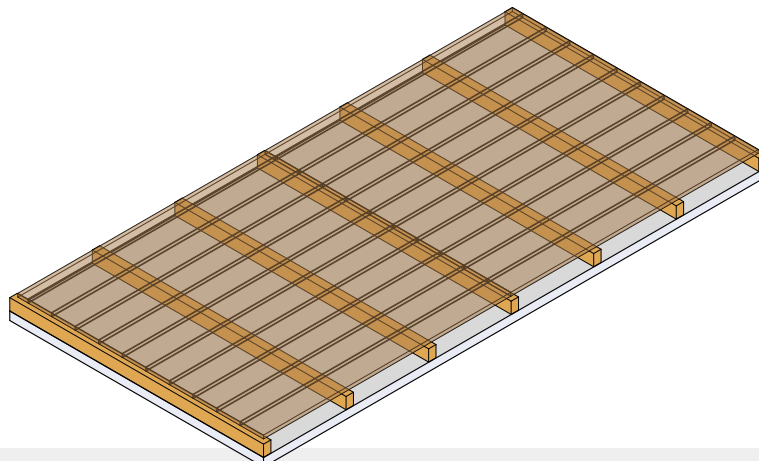
GS504 1.55 x 1.55m	NAME	SIZE (mm)	QTY
	Bearer (H4 treated)	1550L x 50W x 75H mm	4
	Floor Boards (H3.2 treated)	1495L x 150W x 19H mm	10
	Nails (Galvanised)	60 x 2.8Ø mm	84



GS505 2.31 x 1.55m	NAME	SIZE (mm)	QTY
	Bearer (H4 treated)	2310L x 50W x 75H mm	4
	Floor Boards (H3.2 treated)	1495L x 150W x 19H mm	15
	Nails (Galvanised)	60 x 2.8Ø mm	126



GS506 1.55 x 3.07m	NAME	SIZE (mm)	QTY
	Bearer (H4 treated)	1550L x 50W x 75H mm	7
	Floor Boards (H3.2 treated)	1508L x 150W x 19H mm	20
	Nails (Galvanised)	60 x 2.8Ø mm	170



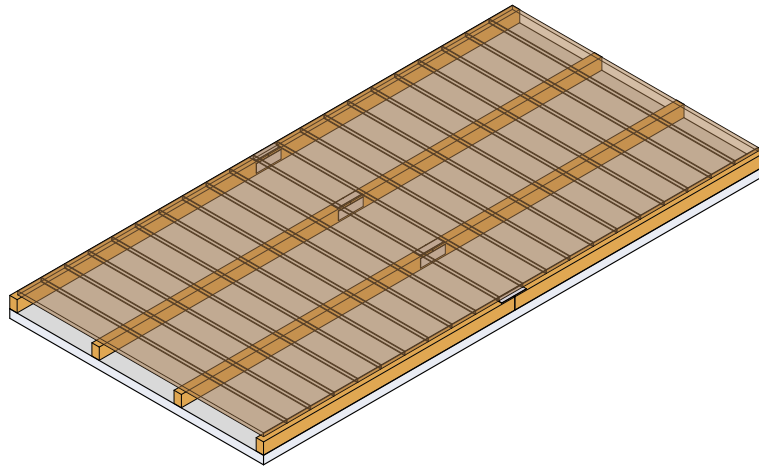
If you're missing anything, just head to www.tradetested.co.nz and get in touch.

WOODEN FLOORING KIT

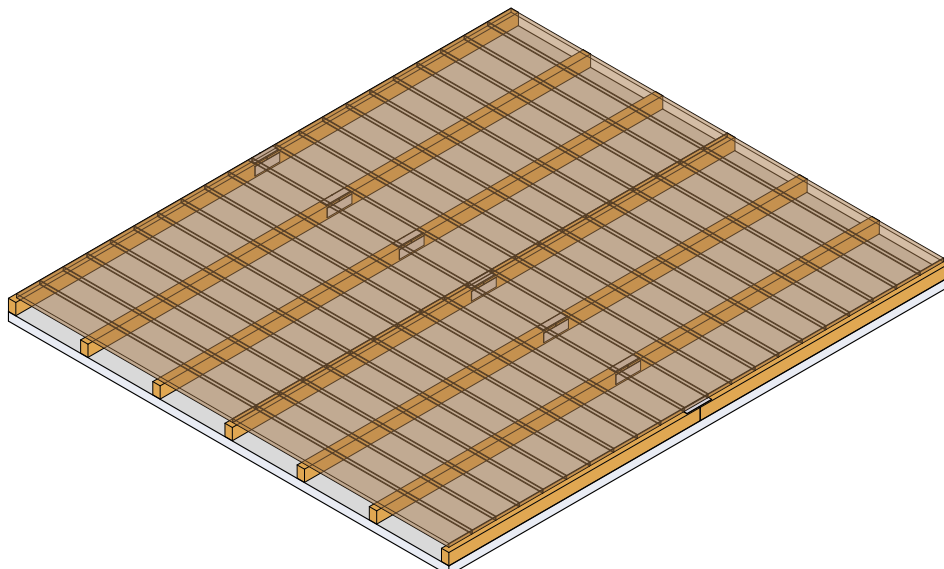
1 Check all parts against the component list

PARTS LIST

GS507 3.07 x 1.55m	NAME	SIZE (mm)	QTY
	Bearer (H4 treated)	1535L x 50W x 75H mm	8
	Floor Boards (H3.2 treated)	1495L x 150W x 19H mm	20
	Nails (Galvanised)	60 x 2.8Ø mm	170
	Nail Plates (Galvanised)	6T5 180 x 34 mm	8
	Nail Plates (Galvanised)	6T10 180 x 68 mm	4



GS508 3.07 x 2.69m	NAME	SIZE (mm)	QTY
	Bearer (H4 treated)	1535L x 50W x 75H mm	14
	Floor Boards (H3.2 treated)	1318L x 150W x 19H mm	40
	Nails (Galvanised)	60 x 2.8Ø mm	335
	Nail Plates (Galvanised)	6T5 180 x 34 mm	14
	Nail Plates (Galvanised)	6T10 180 x 68 mm	7



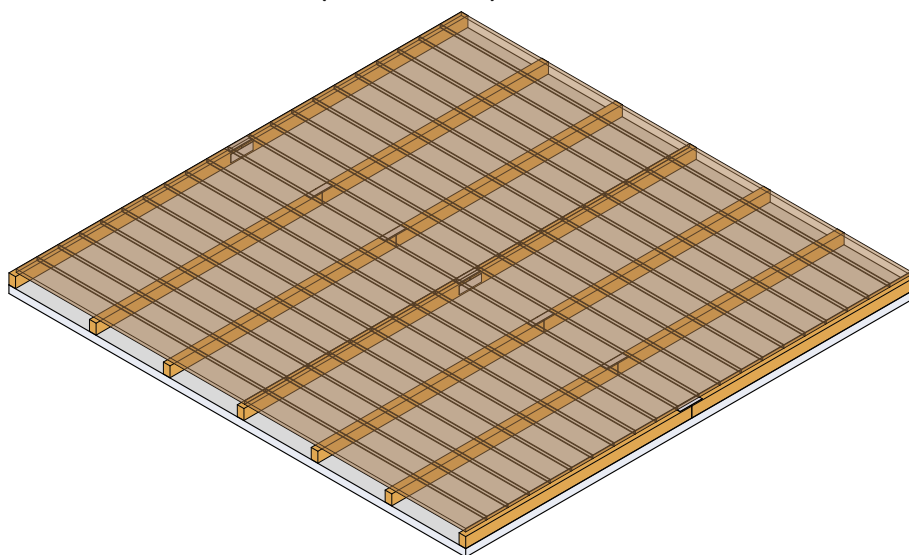
If you're missing anything, just head to www.tradetested.co.nz and get in touch.

WOODEN FLOORING KIT

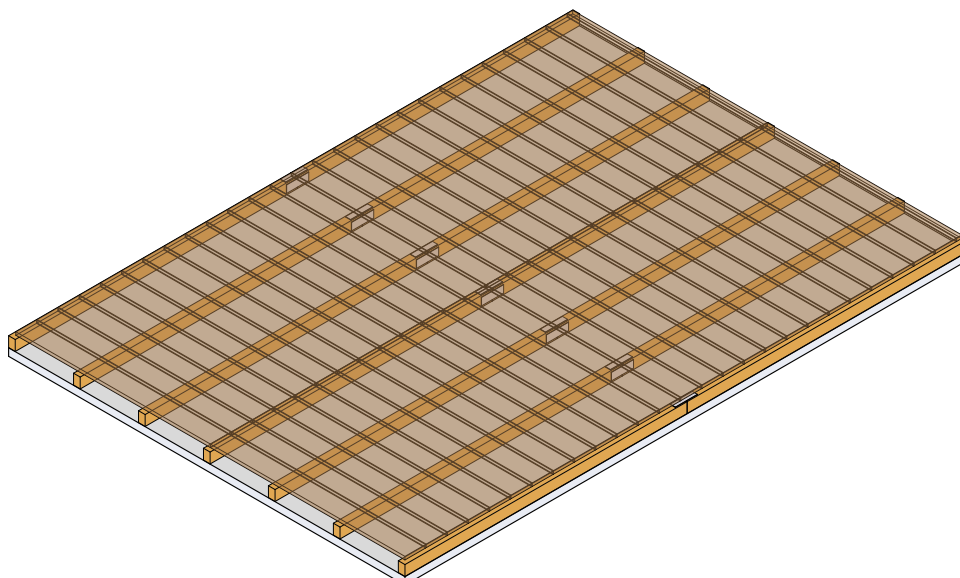
1 Check all parts against the component list

PARTS LIST

GS509 3.07 x 3.07m	NAME	SIZE (mm)	QTY
	Bearer (H4 treated)	1535L x 50W x 75H mm	14
	Floor Boards (H3.2 treated)	1508L x 150W x 19H mm	40
	Nails (Galvanised)	60 x 2.8Ø mm	336
	Nail Plates (Galvanised)	6T5 180 x 34 mm	14
	Nail Plates (Galvanised)	6T10 180 x 68 mm	7



GS510 3.83 x 2.69m	NAME	SIZE (mm)	QTY
	Bearer (H4 treated)	1915L x 50W x 75H mm	14
	Floor Boards (H3.2 treated)	1318L x 150W x 19H mm	50
	Nails (Galvanised)	60 x 2.8Ø mm	420
	Nail Plates (Galvanised)	6T5 180 x 34 mm	14
	Nail Plates (Galvanised)	6T10 180 x 68 mm	7



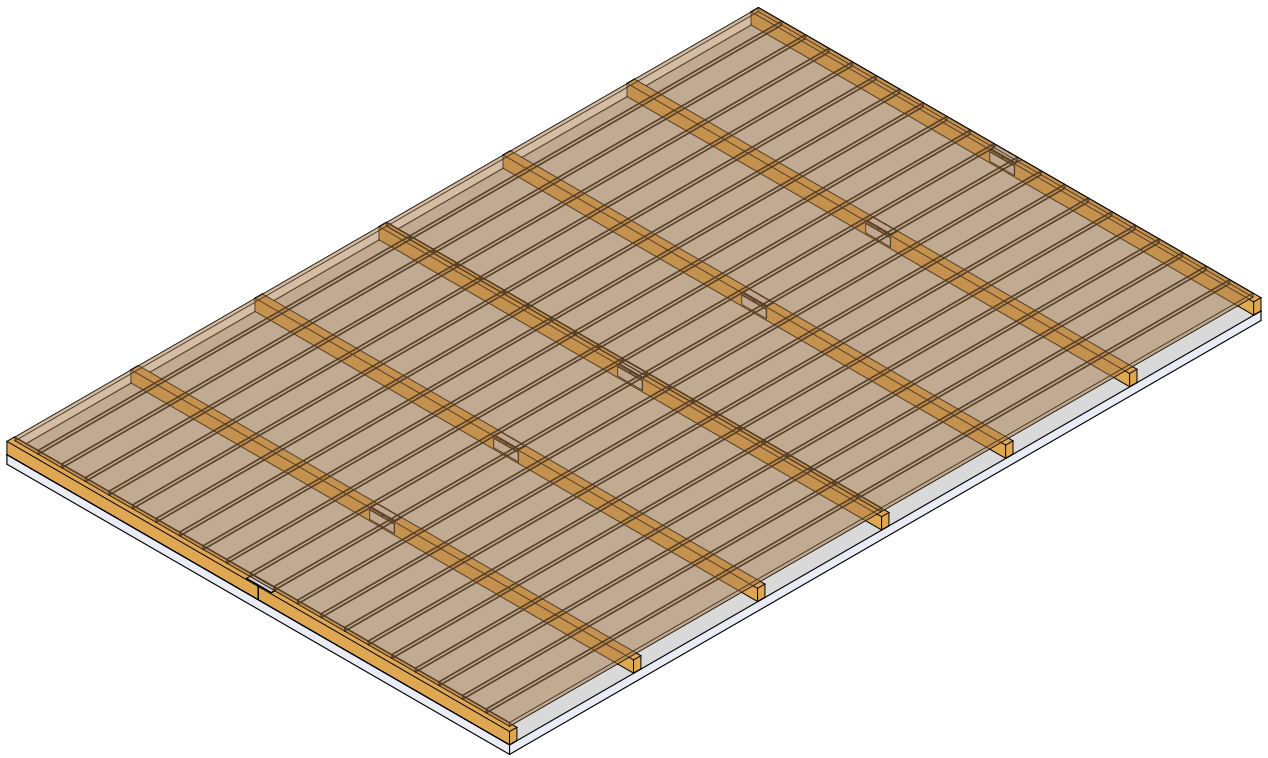
If you're missing anything, just head to www.tradetested.co.nz and get in touch.

WOODEN FLOORING KIT

1 Check all parts against the component list

PARTS LIST

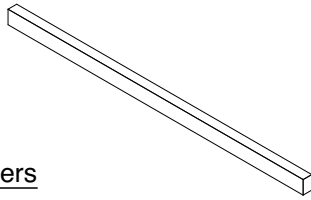
GS511 3.07 x 4.59m	NAME	SIZE (mm)	QTY
	Bearer (H4 treated)	1535L x 50W x 75H mm	20
	Floor Boards (H3.2 treated)	2268L x 150W x 19H mm	40
	Nails (Galvanised)	60 x 2.8Ø mm	420
	Nail Plates (Galvanised)	6T5 180 x 34 mm	20
	Nail Plates (Galvanised)	6T10 180 x 68 mm	10



If you're missing anything, just head to www.tradetested.co.nz and get in touch.

2 Assemble the bearers

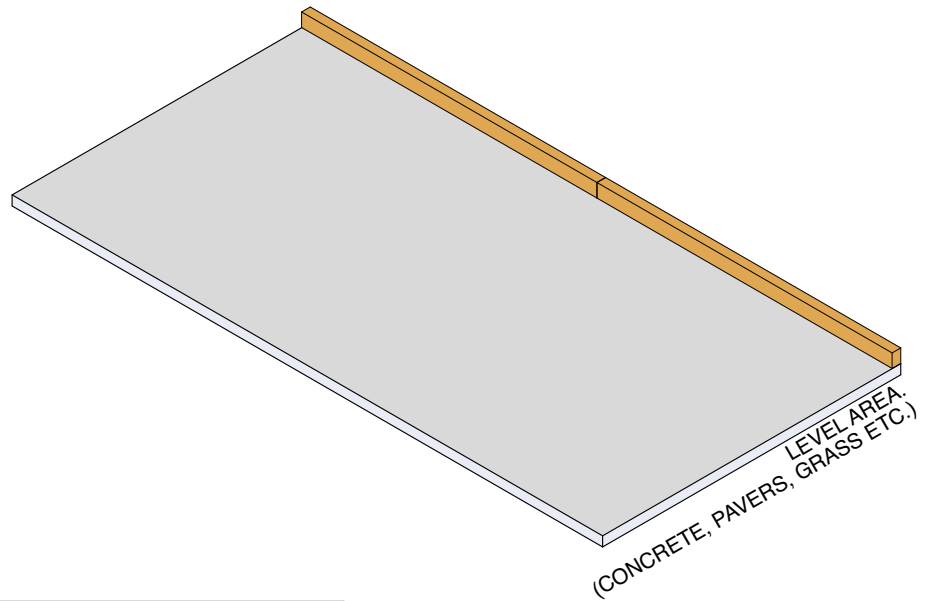
a



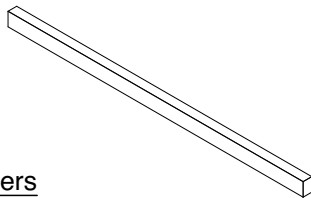
Bearers

① It is very important to have a level area prepared to the correct size. Grass, pavers or a concrete slab. Remember to allow space for the doors to open!

- The following steps are a general guide to assembling all flooring kits. Some pieces and dimensions will differ from those pictured.
- It is helpful to read and understand the full instruction manual before starting.
- For additional helpful Reference Images see page 13 of this manual.
- Ensure the site is flat and levelled prior to assembly.
- The site can be a grassed area, paved or a specially prepared concrete slab.
- The quantity of bearers you have will vary depending on the size of your shed.
- If your site is not completely level, small treated blocks or wooden pegs (when grassed) for propping work well.



b



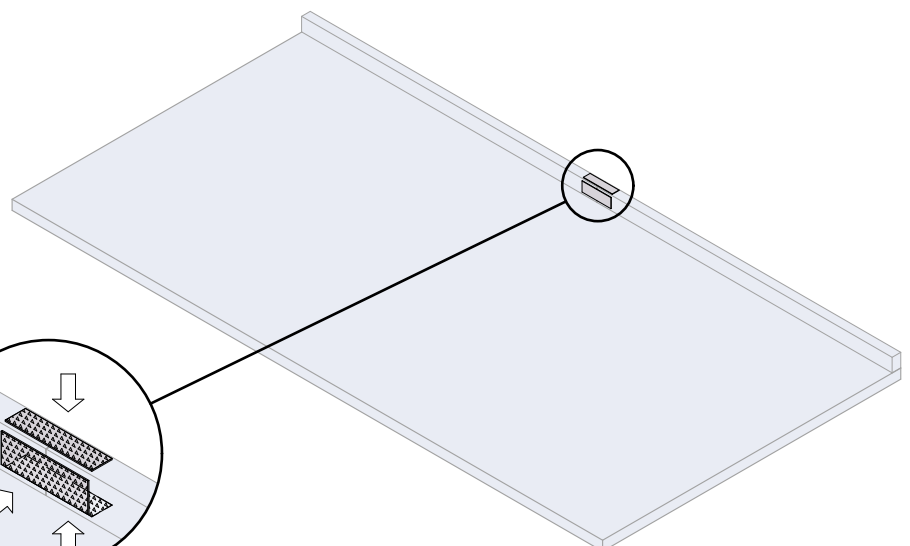
Bearers



Nail Plates
6T5 x 2, 6T10 x 1 each



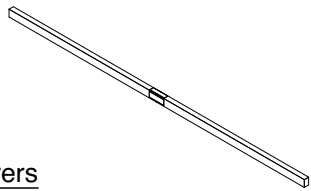
- If your flooring kit comes with nail plates, these will be used to connect shorter bearer lengths together to create long lengths.
- Using a hammer, connect the nail plates to each bearer end as shown. Small plates on the thin sides (x2) and large plate on the wide side (x1).
- Make sure the lengths are straight and all the nail plate teeth are embedded in bearer. It is easier to do this step on a hard surface.
- **Do this for all bearers.**



- Shed models requiring bearer connections with nail plates: GS503, GS507, GS508, GS509, GS510, GS511
The other shed models will not need connections and can be laid as is.

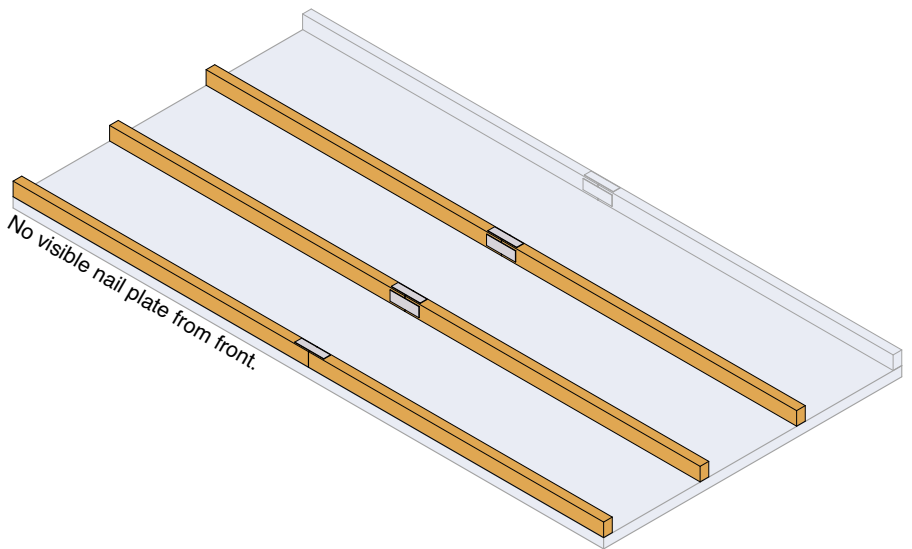
3 Lay Out the bearers

a



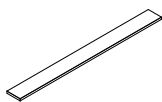
Bearers

- Lay out all the bearers at roughly equal distances.
- Make sure that any nail plates are not visible from the any sides.

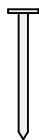


- Shed models where only half the bearers are laid out in this step, the rest in Step 6:
GS506, GS509, GS511

b



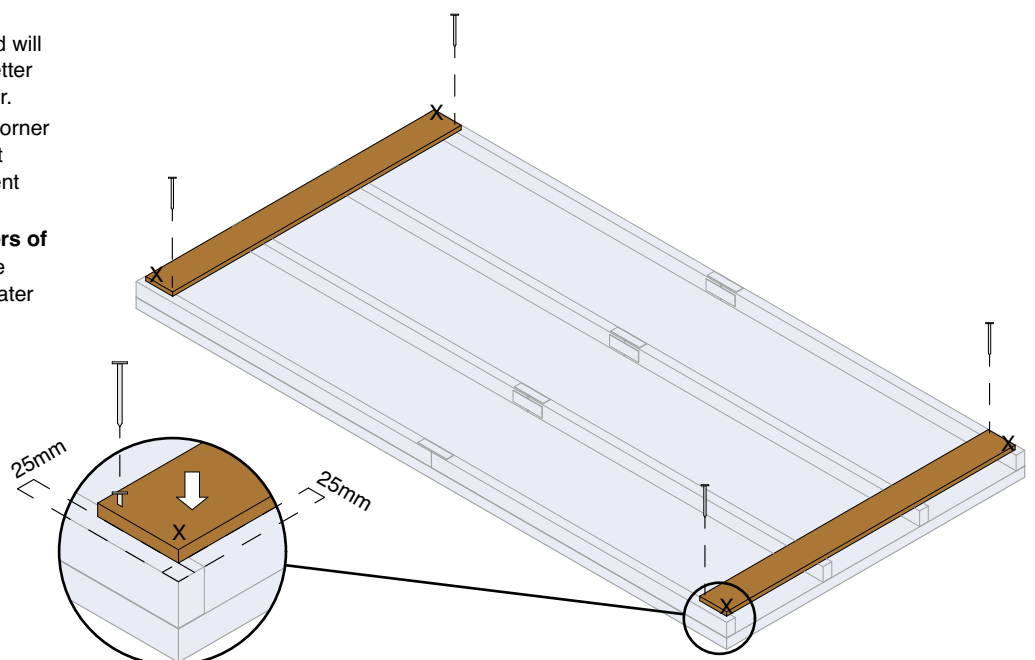
Floor Boards



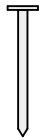
Nails



- Place the first and last boards on to the bearers.
- Measure a 25mm spacing from the end and the side of the bearer for the board corner position. The 25mm bearer is what your shed will sit on, creating a rebate and better protecting your shed from water.
- Hammer a nail into the inside corner of the board. Keep it proud (not nailed fully in) for any adjustment later.
- **Do not nail the outside corners of the boards** as this is where the corner anchor of the shed will later be positioned. Marked with Xs.

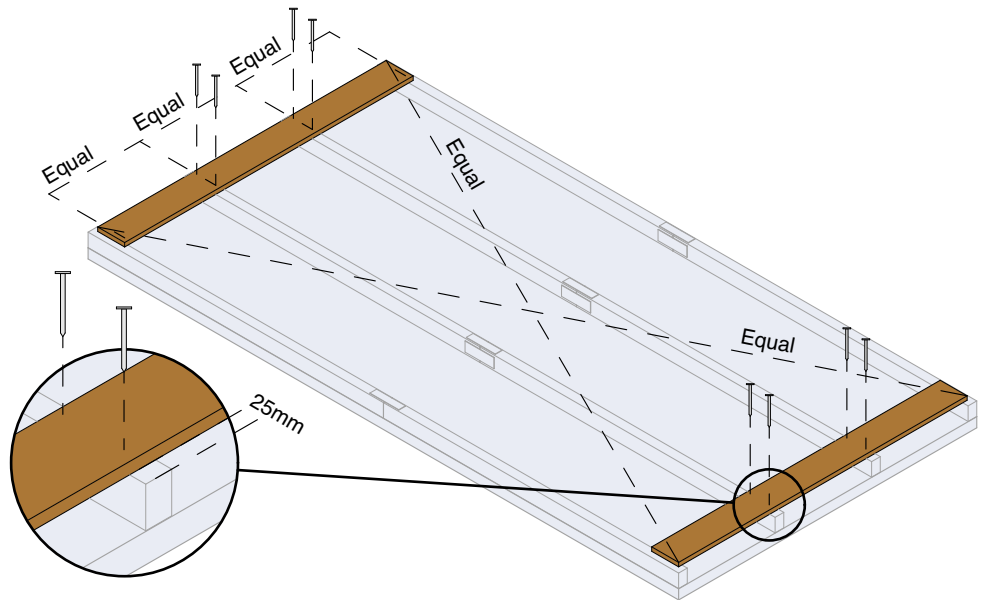


4 Square the bearers



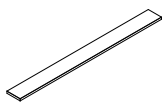
Nails

- Now that the perimeter bearers are pinned with a proud nail, measure diagonally between the outer corners of floorboards and adjust the bearer positions until the measurements are equal.
- Space each bearer out equally to support the perimeter floorboards.
- Once happy that the flooring is square, hammer two nails through the floorboards into each end of the bearers. Make sure to keep the 25mm space at the bearer ends.
- These nails will lock in the flooring to be square.

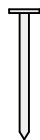


① Leave an end nail proud and run a string line or a long length of timber down the bearer so you know where to nail!

5 Lay Out the floorboards

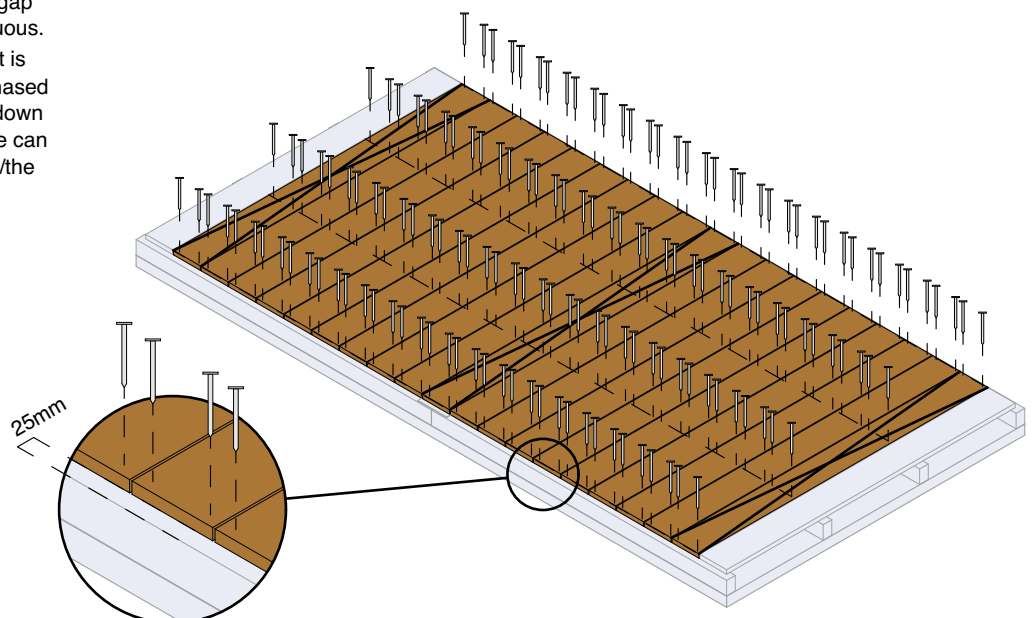


Floor Boards



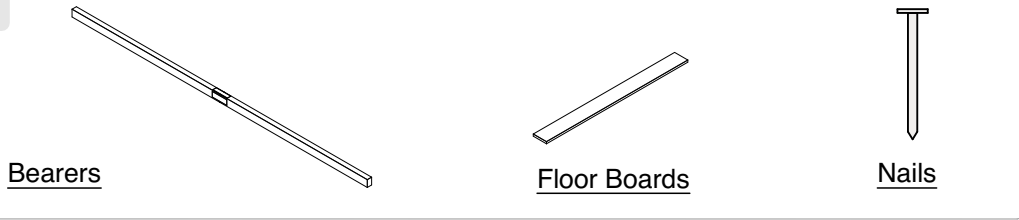
Nails

- Place all the rest of the boards on to the bearers. The last one may not fit, this is okay, leave it out and see Step 7.
- Nail the boards off, from one side to another. Make sure the 25mm gap to the side of bearers is continuous.
- If further levelling or adjustment is necessary, or if you have purchased wooden pegs then do not nail down the boards shown with x. These can be removed later and blocking /the pegs installed.

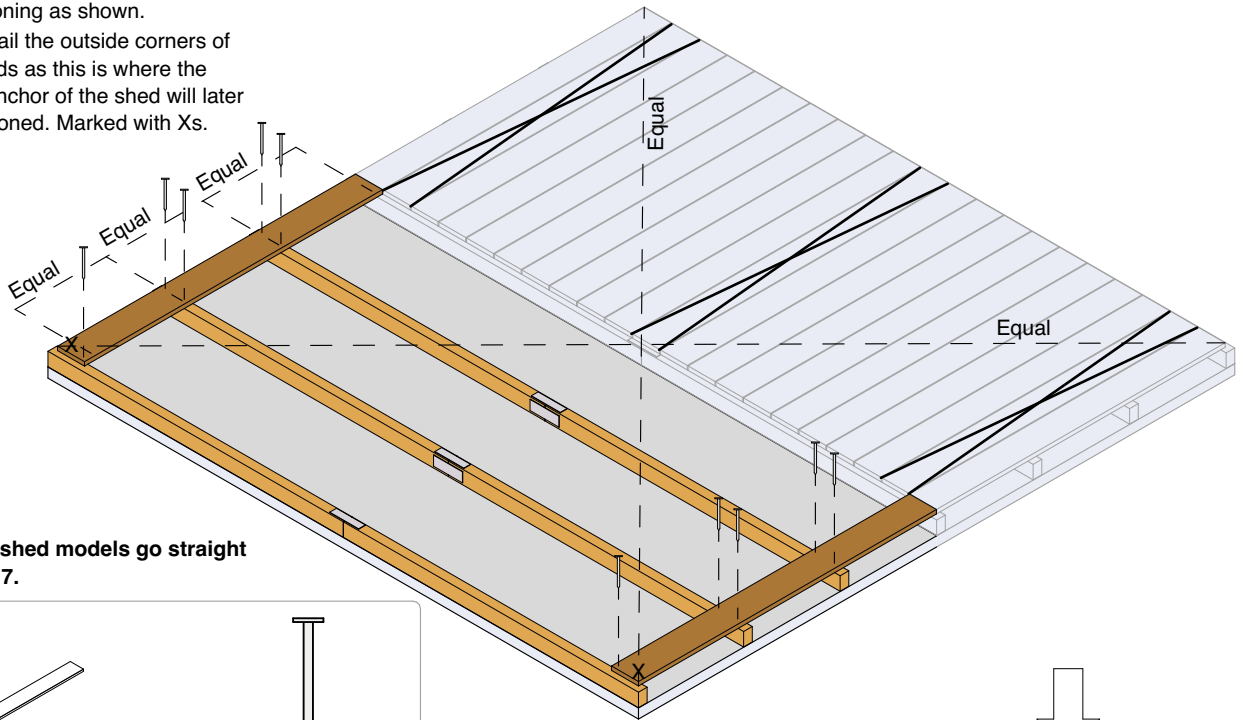


6 Repeat for Large Sheds

a

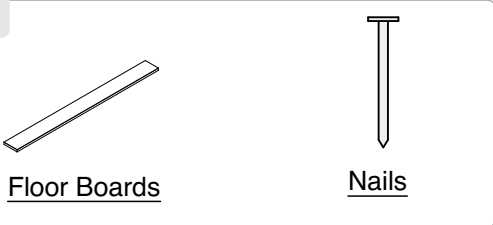


- Layout the rest of the bearers prepared in Step 2b.
- Repeat as in Step 3b. Keep the flooring square with diagonal dimensioning as shown.
- Do not nail the outside corners of the boards as this is where the corner anchor of the shed will later be positioned. Marked with Xs.

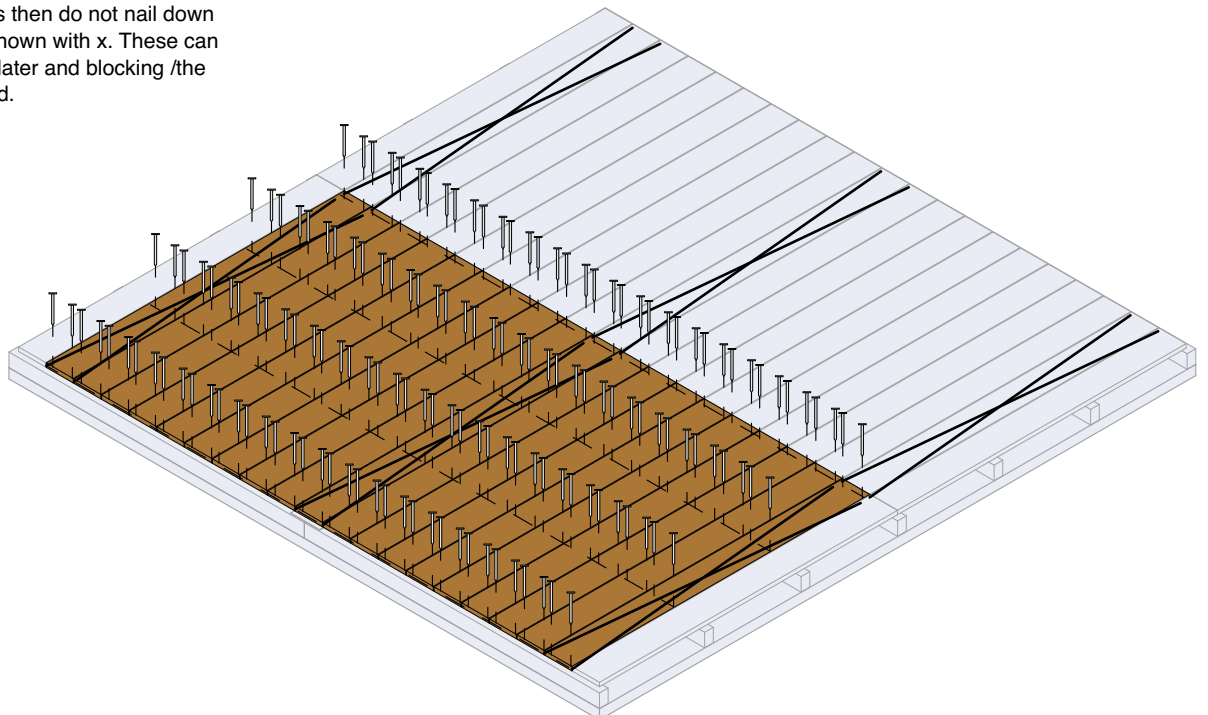


- **Smaller shed models go straight to Step 7.**

b

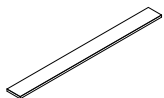


- Repeat as in Step 5.
- If further levelling or adjustment is necessary, or if you have purchased wooden pegs then do not nail down the boards shown with x. These can be removed later and blocking /the pegs installed.

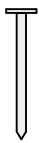


7 Finishing touches

a



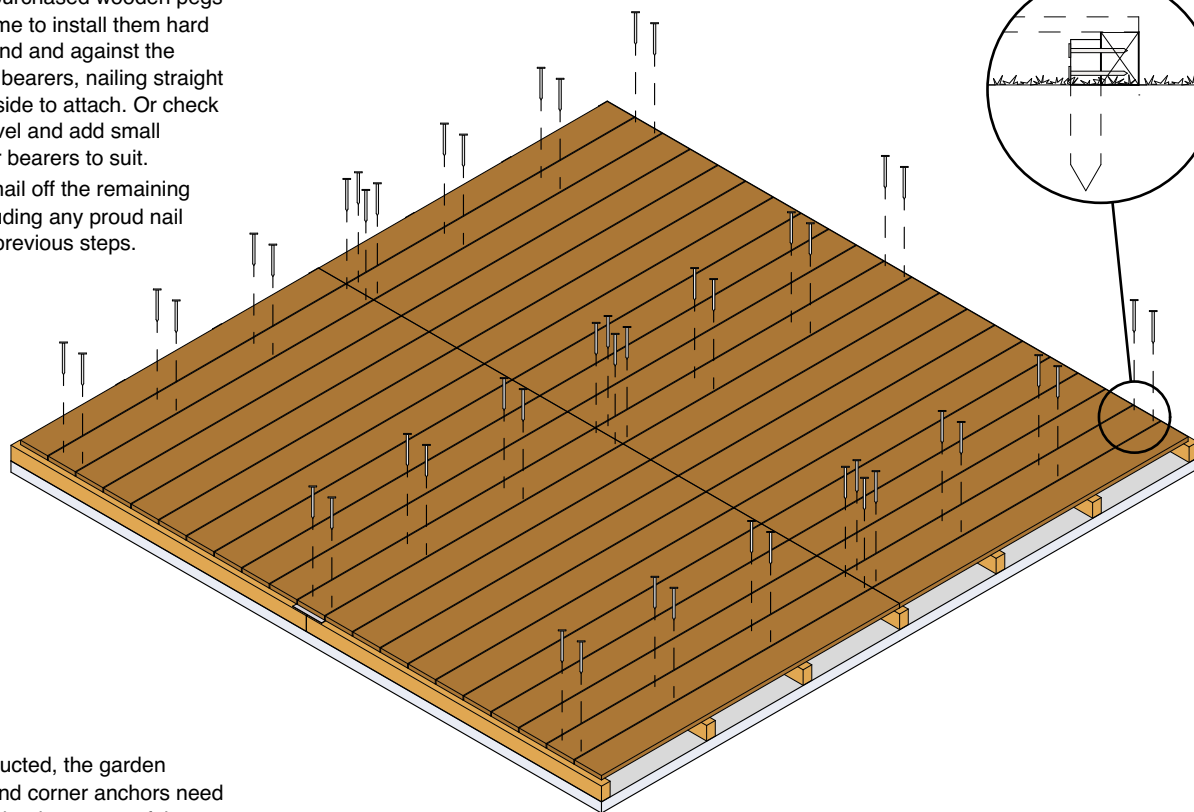
Floor Boards



Nails

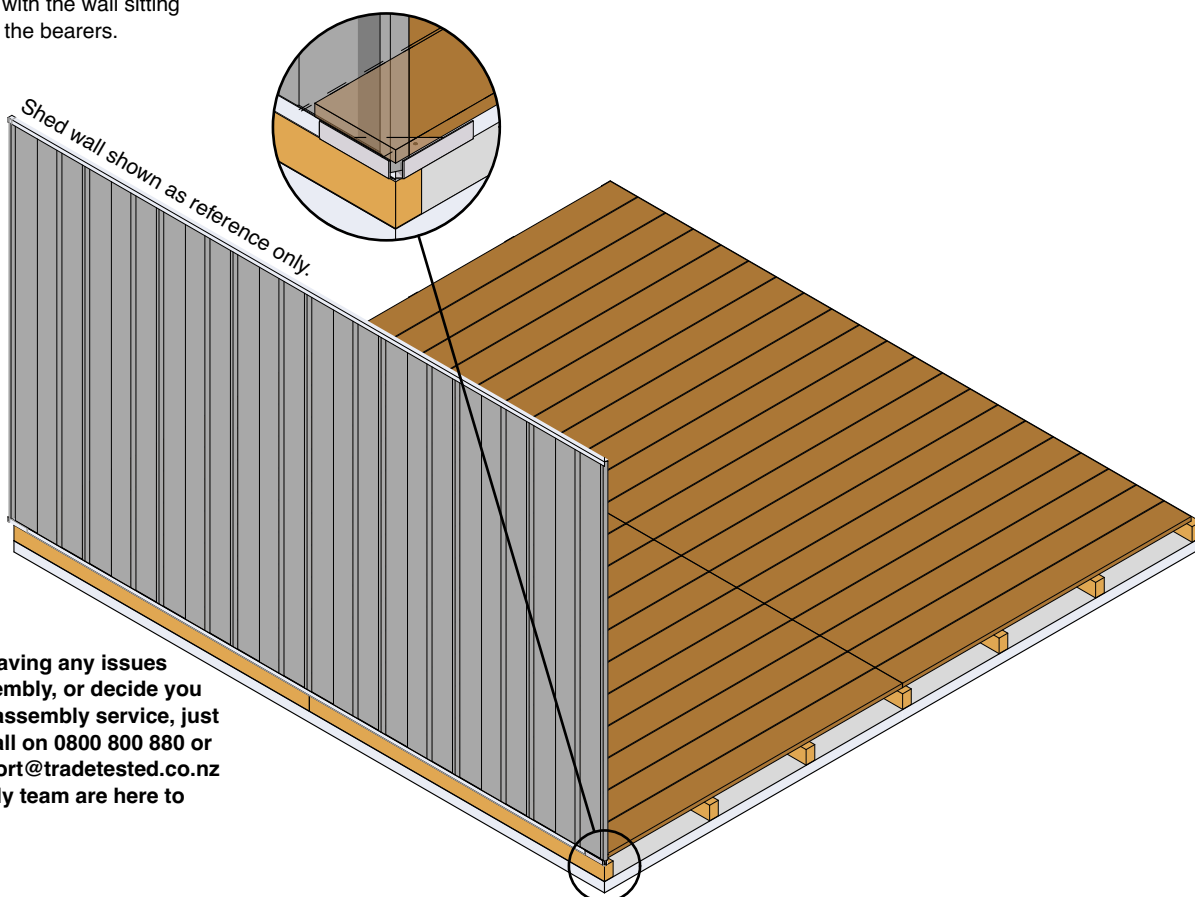
① If you have left the last floorboard(s) off it will be easier to finish constructing the shed and trim the boards to the floor perfect at the end of the build.

- If you have purchased wooden pegs now is the time to install them hard into the ground and against the inside of the bearers, nailing straight through the side to attach. Or check flooring is level and add small blocks under bearers to suit.
- Once level, nail off the remaining boards, including any proud nail heads from previous steps.



Wooden Pegs

- When constructed, the garden shed walls and corner anchors need to be slid under the corner of the floorboards, with the wall sitting directly onto the bearers.



Shed wall shown as reference only.

- If you are having any issues during assembly, or decide you require an assembly service, just give us a call on 0800 800 880 or email support@tradetested.co.nz - our friendly team are here to help!

Reference images



STEP 3



STEP 3B



STEP 5



STEP 5



STEP 7



STEP 7



STEP 5 / 6B