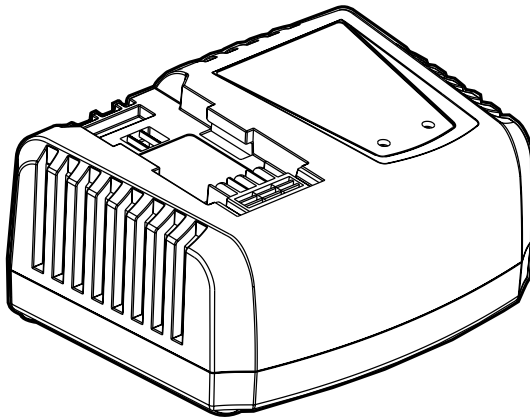




40V LITHIUM-ION BATTERY CHARGER

2928202



Important!

It is essential that you read the instructions in this manual before operating this machine.



English (Original instructions)

CHARGER

SPECIFICATIONS

40V Charger: 2928202

Input: 220-240V ~ 50-60Hz, 1A

Output: 40V = 4A

- DO NOT probe the charger with conductive materials.
- DO NOT allow liquid inside the charger.
- DO NOT try to use the charger for any other purpose than what is presented in this manual.
- Do not cover the ventilation slots on the top of the charger. Do not set the charger on a soft surface i.e. blanket, pillow. Keep the ventilation slots of the charger clear.
- Do not allow small metal items or material such as steel wool, aluminum foil, or other foreign particles into the charger cavity.
- Unplug the charger before cleaning and when there is no battery pack in the charger.
- Do not try to connect two chargers together.
- Do not use the charger in the circumstances that the output Polarity does not match the load polarity.
- For indoor use only.
- The cover may under no circumstances be opened. If the cover is damaged, then the charger may no longer be used.
- Do not recharging non-rechargeable batteries.




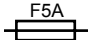
▲ WARNING

To avoid risk of fire, electric shock, or electrocution:

- Do not use a damp cloth or detergent on the battery or battery charger.
- Always remove the battery pack before cleaning, inspecting, or performing any maintenance on the tool.

CLEANING

Wipe the outside of the charger with a dry, soft cloth. Do not hose down or wash with water.

	Class II Double insulation
	For indoor use only
	Before charging, read the instructions
	Fuse

▲ WARNING

This appliance is not intended for use by persons (including children) with reduced physical, sensory or mental capabilities, or lack of experience and knowledge, unless they have been given supervision or instruction concerning use of the appliance by a person responsible for their safety.

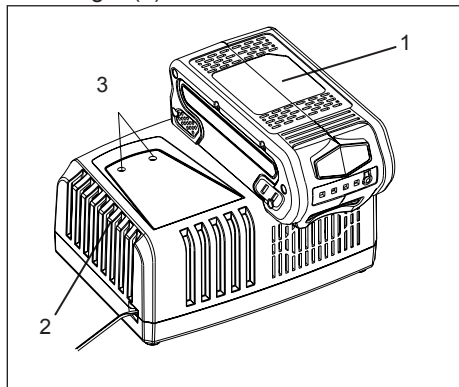
- Children should be supervised to ensure that they do not play with the appliance.
- Cleaning and user maintenance should not be made by children without supervision.
- If the supply cord is damaged, it must be replaced by manufacturer, its service agent or similarly qualified persons in order to avoid a hazard.
- Use only with Greenworks 40V rechargeable Li-ion battery.

CHARGING PROCEDURE

NOTE: The battery is not shipped fully charged. It is recommended to fully charge before use to ensure that maximum run time can be achieved. This lithium-ion battery will not develop a memory and may be charged at any time.

English (Original instructions)

1. Plug the charger into an AC power outlet.
2. Insert the battery pack (1) into the charger (2).



This is a diagnostic charger. The Charger LED Lights (3) will illuminate in specific order to communicate the current battery status. They are as follows:

RED ●	OFF	STAND BY
RED ●	BLINKING GREEN ☀	CHARGING
RED ●	GREEN ●	FULLY CHARGED
BLINKING RED ☀	OFF	HIGH TEMP.
BLINKING RED ☀	BLINKING GREEN ☀	ERROR
LED 1 ○	LED 2 ○	

False Defect Note:

When the battery is inserted into the charger, LED 1 flashes RED and LED 2 flashes Green, remove the battery from the charger for 1 minute, then reinsert. If the status LEDs indicate normal, then the battery pack is good. If the status LED 1 and LED 2 are still blinking, remove the battery pack and unplug the charger. Wait 1 minute and plug the charger back in and reinsert the battery pack. If the status LEDs indicate normal than the battery pack is good. If the status LED 1 and LED 2 are still

blinking then the battery pack is defective and needs to be replaced.

CHECKING THE CHARGER

If the battery pack does not charge properly:

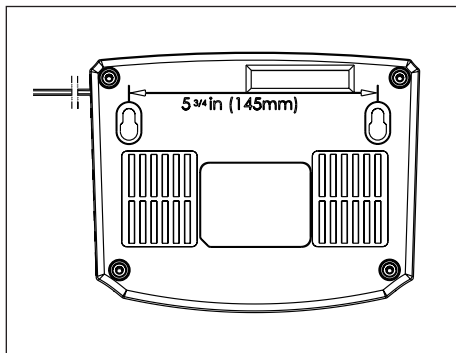
- Check the current at the power outlet with another tool. Make sure that the outlet is not turned off.
- Check that the charger contacts have not been shorted by debris or foreign material.
- If the surrounding air temperature is not normal room temperature, move the charger and battery pack to a location where the temperature is between 7 °C and 40°C .

CHARGER MOUNTING

1. This charger can be installed hanging on a wall using two #8 screws (not supplied).
2. Locate the placement for the charger to be wall mounted.
3. If fastening to wood studs use 2 wood screws (not included).
4. Drill two holes on center 145mm apart ensuring that they are vertically aligned.
5. If fastening to drywall use wall anchors(not included) and screws to secure the charger to the wall.

NOTE: If the battery and the charger won't be used for a long time, please remove the battery from the charger and pull out the AC power plug.

English (Original instructions)



IMPORTANT SAFETY INSTRUCTIONS

1. SAVE THESE INSTRUCTIONS - DANGER: TO REDUCE RISK OF FIRE OR ELECTRIC SHOCK CAREFULLY FOLLOW THESE INSTRUCTIONS.
2. Confirm the voltage available at each country location before using the charger.
3. If the shape of the plug does not fit the power outlet, use an attachment plug adaptor of the proper configuration for the power outlet.

CORRECT DISPOSAL OF THIS PRODUCT:



This marking indicates that this product should not be disposed with other household wastes throughout the EU. To prevent possible harm to the environment or human health from uncontrolled waste disposal, recycle it responsibly to promote the sustainable reuse of material resources. To return your used device, please use the return and collection systems or contact the retailer where the product was purchased. They can take this product for environmental safe recycling.

Removal of waste batteries and accumulators



Li-ion

Member States shall ensure that manufacturers design appliances in such a way that waste batteries and accumulators can be readily removed. Where they cannot be readily removed by the end-user. Member States shall ensure that manufacturers design appliances in such a way that waste batteries and accumulators can be readily removed by qualified professionals that are independent of the manufacturer. Appliances in which batteries and accumulators are incorporated shall be accompanied by instructions on how those batteries and accumulators can be safely removed by either the end-user or by independent qualified professionals. Where appropriate, the instructions shall also inform the end-user of the types of battery or accumulator incorporated into the appliance.



Greenworks Tools Warranty Policy for DIY machines

PERIOD OF WARRANTY

All new Greenworks Tools machinery is supplied with a 2 year parts and labour warranty from original date of purchase. A 30 day warranty is available for machines used professionally as Greenworks Tools are designed primarily to be used by DIY consumers. This warranty is non-transferable.

LIMITATIONS

This warranty applies only to defective parts/components and does not cover repairs due to:

1. Normal wear and tear.
2. Routine tune up or adjustment.
3. Damage caused by improper handling/abuse/misuse or neglect.
4. Overheating due to lack of maintenance.
5. Damage due to fittings/fasteners becoming loose/detached through lack of maintenance.
6. Damage caused by cleaning with water.
7. Machines serviced or repaired by non-authorised Greenworks Tools service centres.
8. Machines incorrectly assembled or adjusted.
9. Damage caused by improper use of the machine.
10. Damage caused by improper winterisation (pressure washers)
11. Items considered as consumable parts are not normally covered by the warranty, including but not limited to:
 - Batteries
 - Electric cables
 - Blade and blade assemblies
 - Belts
 - Filters
 - Chucks and tool holders
12. Certain products may contain components such as engines, transmissions from an alternative manufacturer, these items will be subject to the appropriate manufacturer's warranty policy except where Greenworks Tools Europe GmbH agrees to underwrite any claims outside the said manufacturer's warranty period.
13. Second hand goods are not covered under this warranty policy.
14. The fitting of spares, replacements or extra components which are not supplied or approved by Greenworks Tools Europe GmbH.

Warranty

To claim a warranty on any product under this policy a proof of original purchase is required. Credit card statement do not qualify as sufficient proof of purchase. In the first instance of a warranty event occurring the consumer should return the product to the original place of purchase with their proof of purchase. The machine will be sent to our central service facility and an inspection made. If the machine be found to be at fault it will be repaired and sent back to the address of the consumer free of charge. Machines that retail for less than €100 euros including sales taxes will generally be replaced.

If the central service facility finds that machine is not found to be at fault then the consumer will be advised they will need to pay for the cost of the repair.

This warranty policy is subject to change from time to time to accommodate the needs of new products. A copy of the latest warranty policy will be available at www.greenworkstools.eu.

EN EC DECLARATION OF CONFORMITY

Manufacturer: Changzhou Globe Co., Ltd.

Address: No. 65 Xinggang Rd., Zhonglou Zone, Changzhou, Jiangsu, China

Name and address of the person authorised to compile the technical file:

Name: Peter Söderström

Address: Hjortronvägen 3, 555 93 Jönköping, Sweden

Herewith we declare that the product

Category **40V battery charger**

Model **2928202**

Serial Number See product rating label

Year of Construction See product rating label

- is in conformity with the relevant provisions of the Low Voltage Directive 2014/35/EU
- is in conformity with the provisions of the following other EMC directive (2014/30/EU).

And furthermore, we declare that

the following (parts/clauses of) European harmonised standards have been used

AS/NZS 60335-2-29, AS/NZS 60335-1, EN 62233, EN 55014-1,

EN 55014-2, EN 61000-3-2, EN 61000-3-3

Place, date: Changzhou, 08/11/2017

Signature: Ted Qu Haichao
Quality Director

Ted Qu