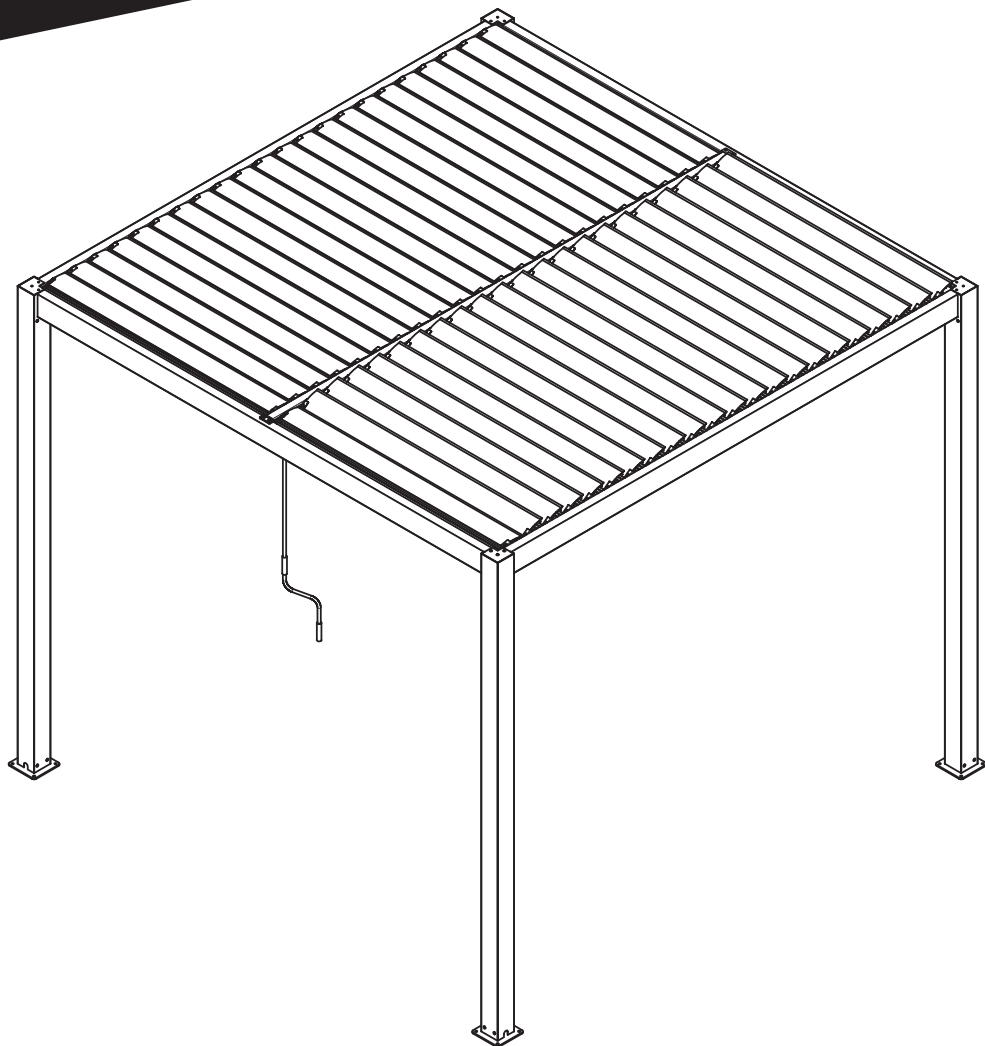


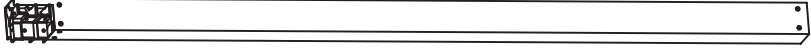


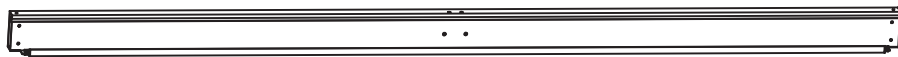

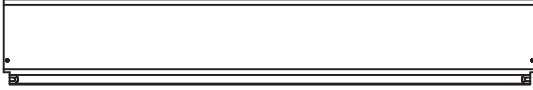
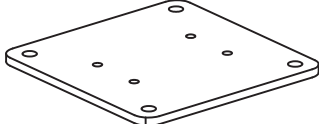
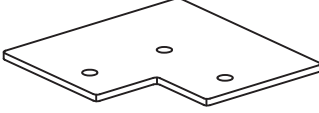
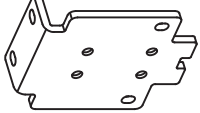
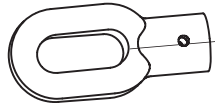

tradetested

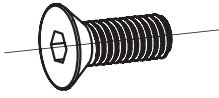
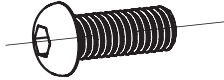

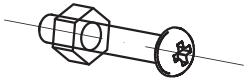
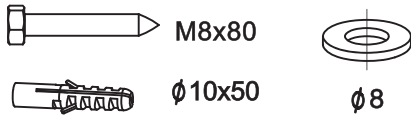

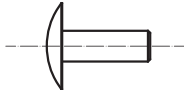
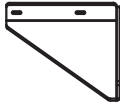

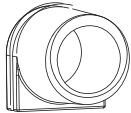
LOUVRE ROOF SYSTEM 3X3, 3X4 & 4X4

Product code: LOUVRE3X3, LOUVRE3X4, LOUVRE4X4
User manual



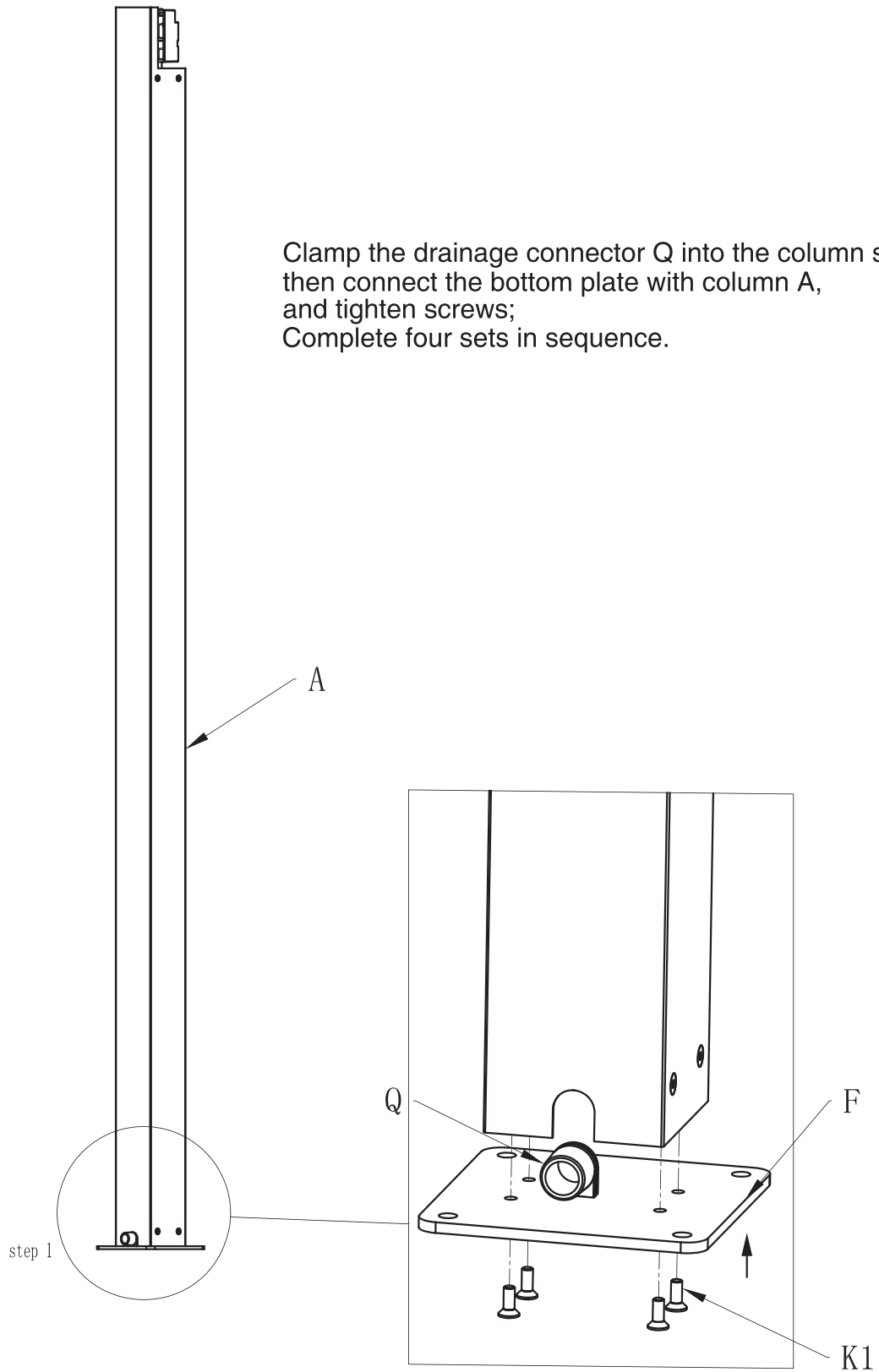
Spare parts list

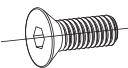
Label No.	Part description	Drawing	Qty
A	Column		4
B1	Beam (Left)		1
B2	Beam(Right)		1
C	Front and rear beams		2
D	Middle beam		1
E	Flap		3x3=44 3x4=60 4x4=60
F	Column bottom plate		4
G	Column cover plate		4
H	Connectors for middle beams		2
I	Hinge ring		2
I	Hand crank		1

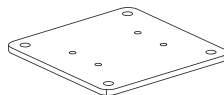
Label No.	Part description	Drawing	Qty
K1	Countersunk head screw	 M6x16	40+2
K2	Pan head screw	 M6x16	20+2
K3	Flat washer	 D6x12	8+2
K4	Screw+nut	 M4x25	2
L	Woodworking screw+ plastic expansion pipe +Flat washer	 M8x80 Ø10x50 Ø8	16
M	Glass glue		1
N	Plastic jam		3x3=88 3x4=120 4x4=120
O	Corner support		8
K5	Self-drilling screw ST 4.2x25	 ST4.2x25	32
Q	Drainage connector		4

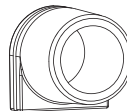
1. Connect the drainage connector with the column

Clamp the drainage connector Q into the column slot, then connect the bottom plate with column A, and tighten screws; Complete four sets in sequence.

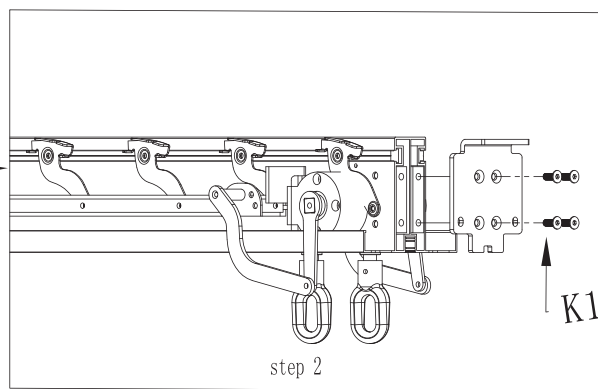
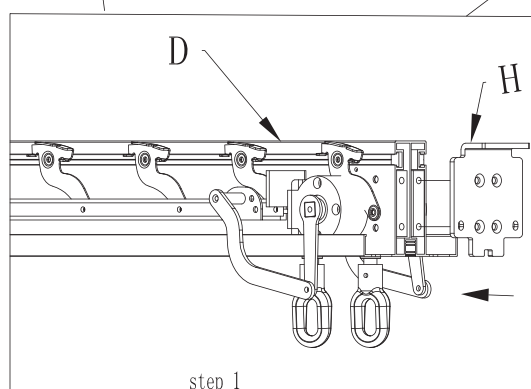
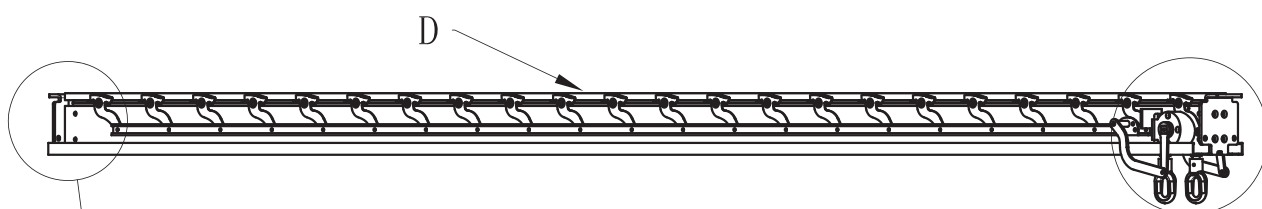


K1  QTY: 16PCS

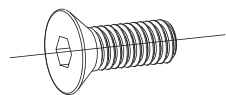
F  QTY: 4PCS

Q  QTY: 4PCS

2. Match the connector H with one side of middle beam D, then tighten the screw K1; then complete the other side.

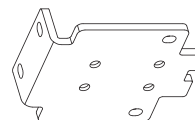


K1



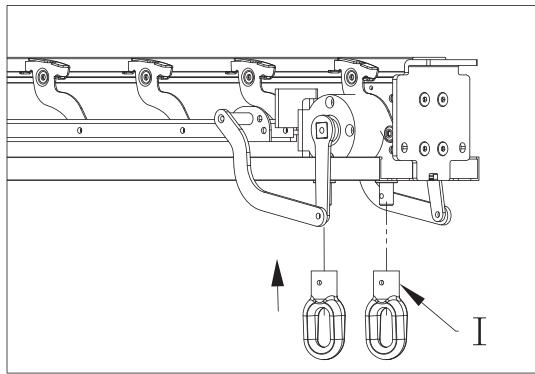
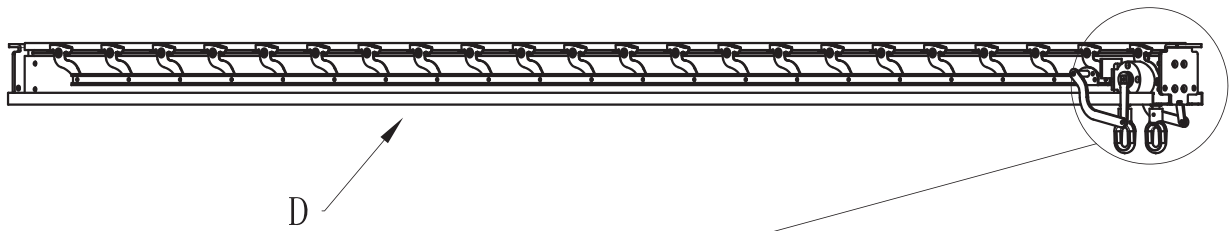
QTY:8PCS

H

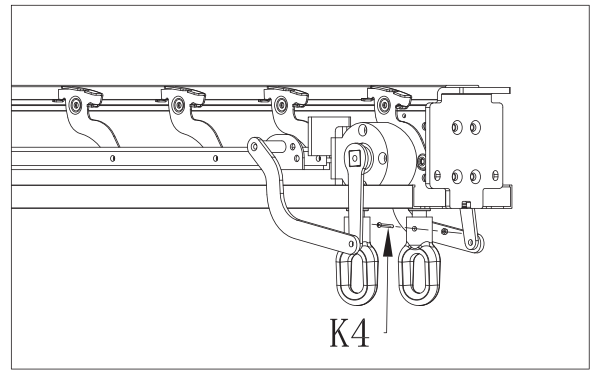


QTY:2PCS

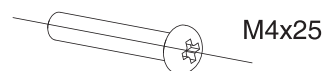
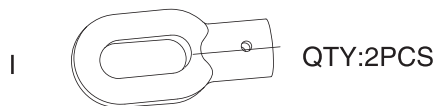
3. Put two hinge rings I into the gearbox drive shaft on the beam D,
fix the screw + nut K4



step 1

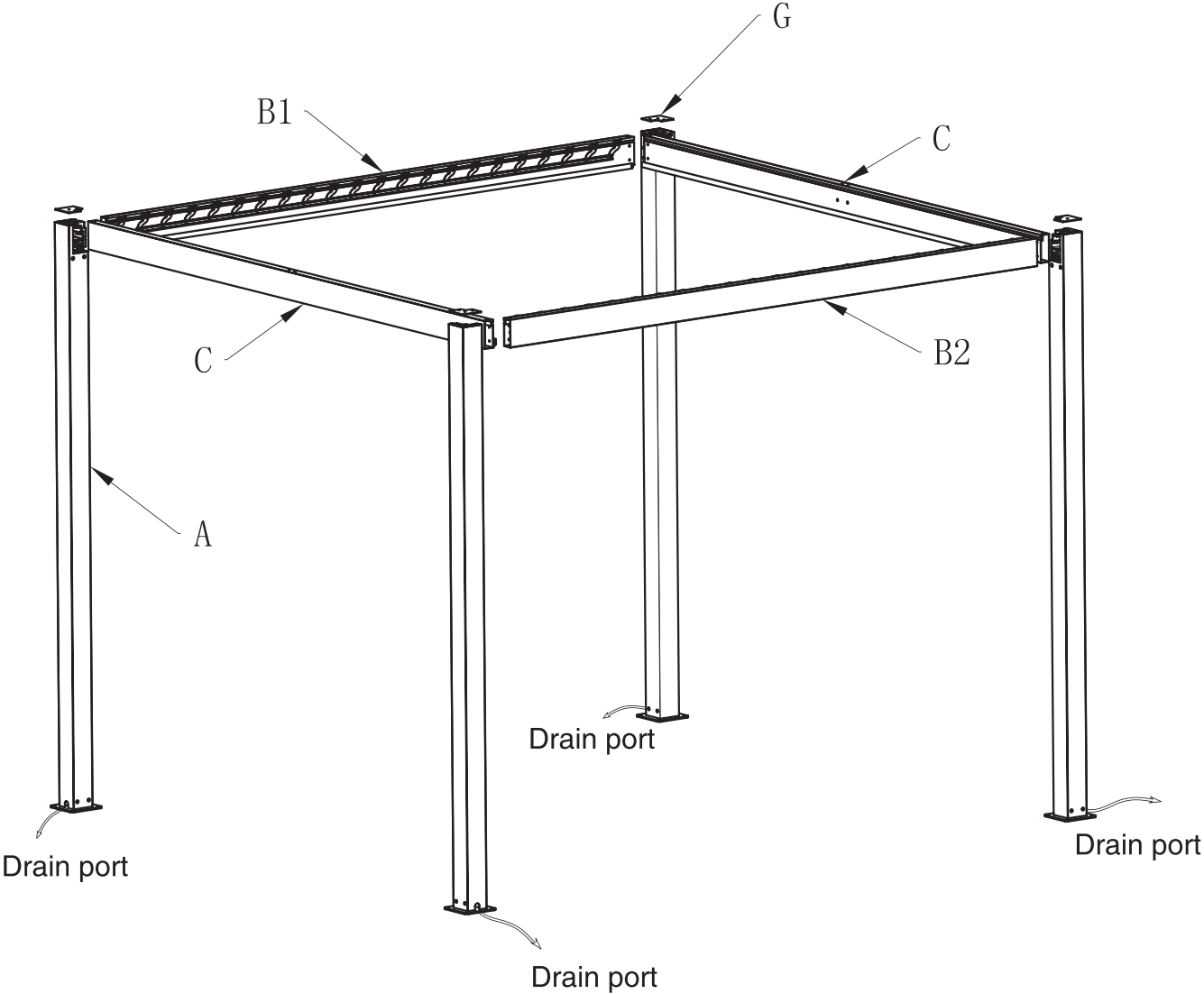


step 2

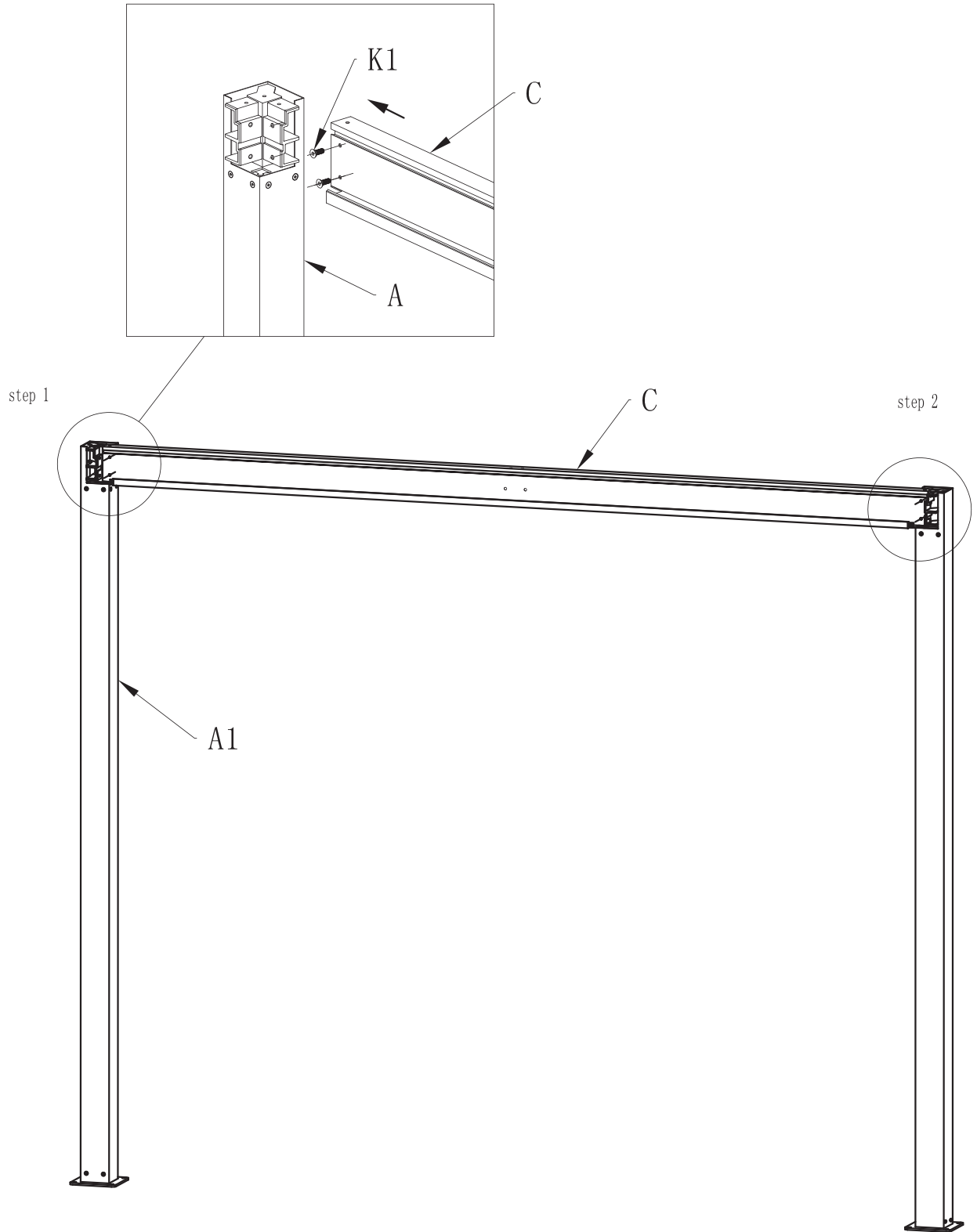


QTY:2 SETS

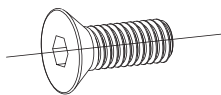
4. Place the column and beam as shown in the figure,
and note that the drain port of the column faces the same side;



5. The two ends of one front and rear beam C are respectively placed on the corner connectors on the column, and the screws K1 are tightened;

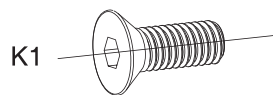
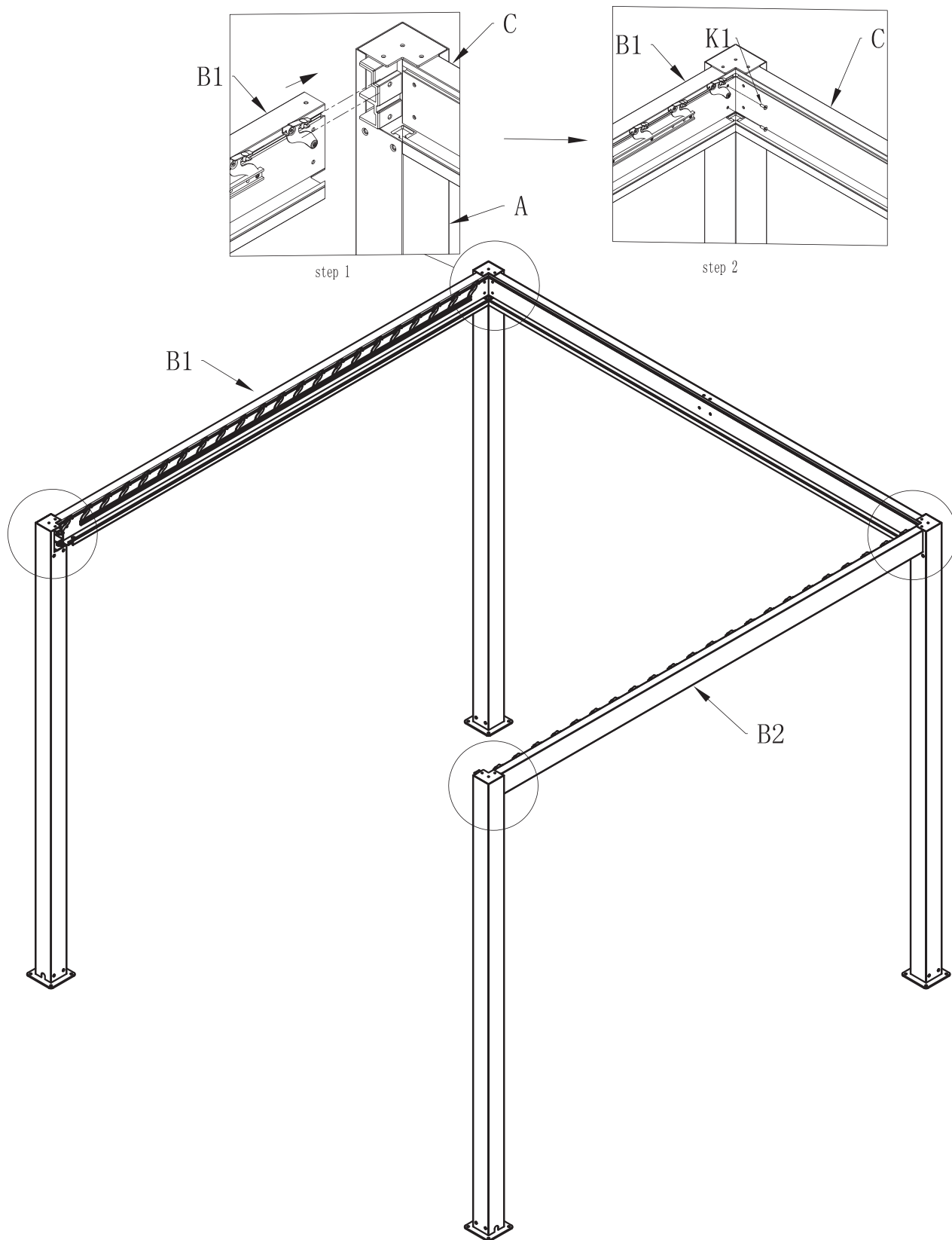


K1



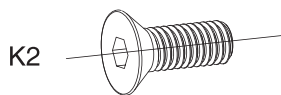
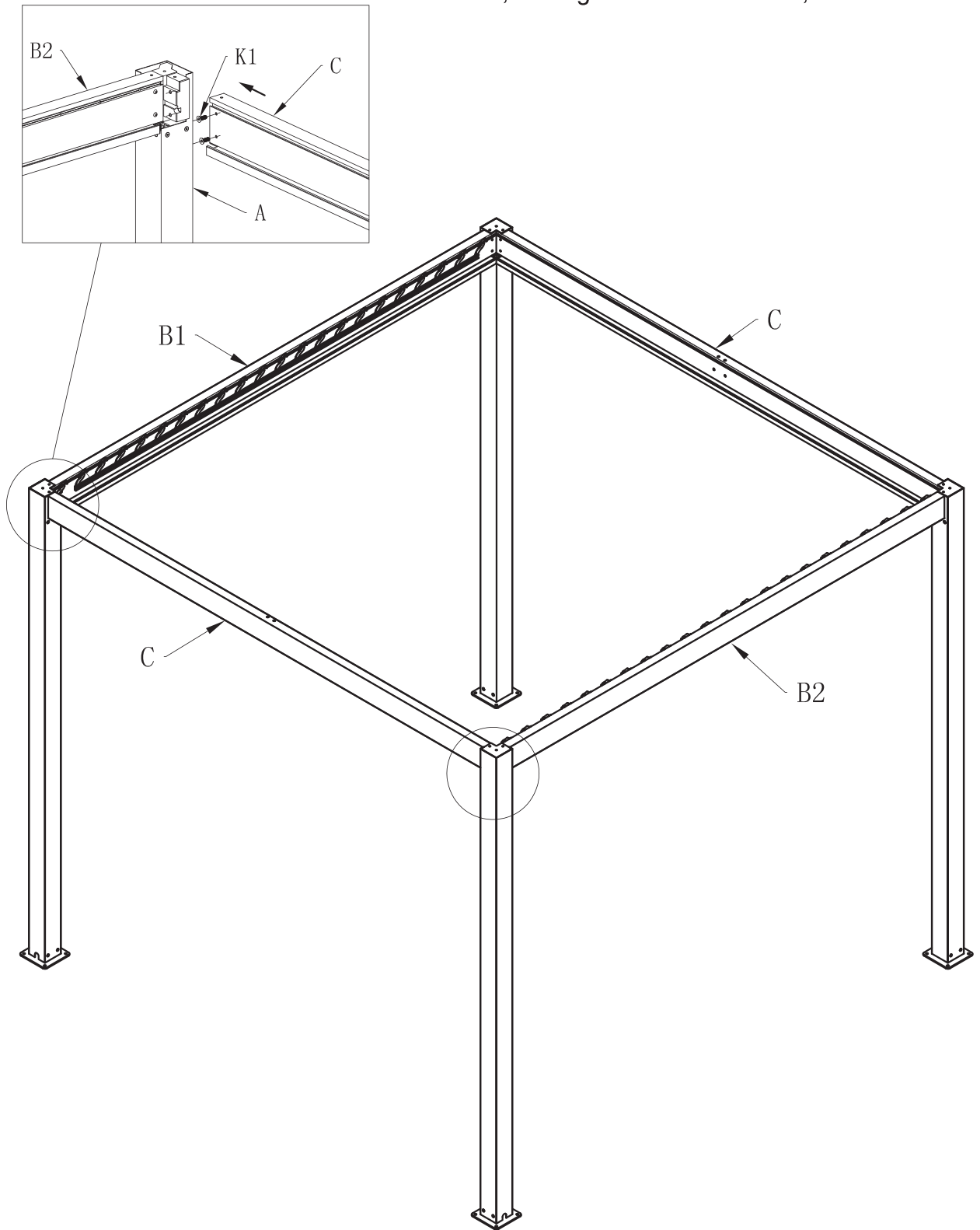
QTY:4PCS

6. The left and right beams B1/B2 are respectively placed on the corner connectors on the column, and the screws K1 are tightened;



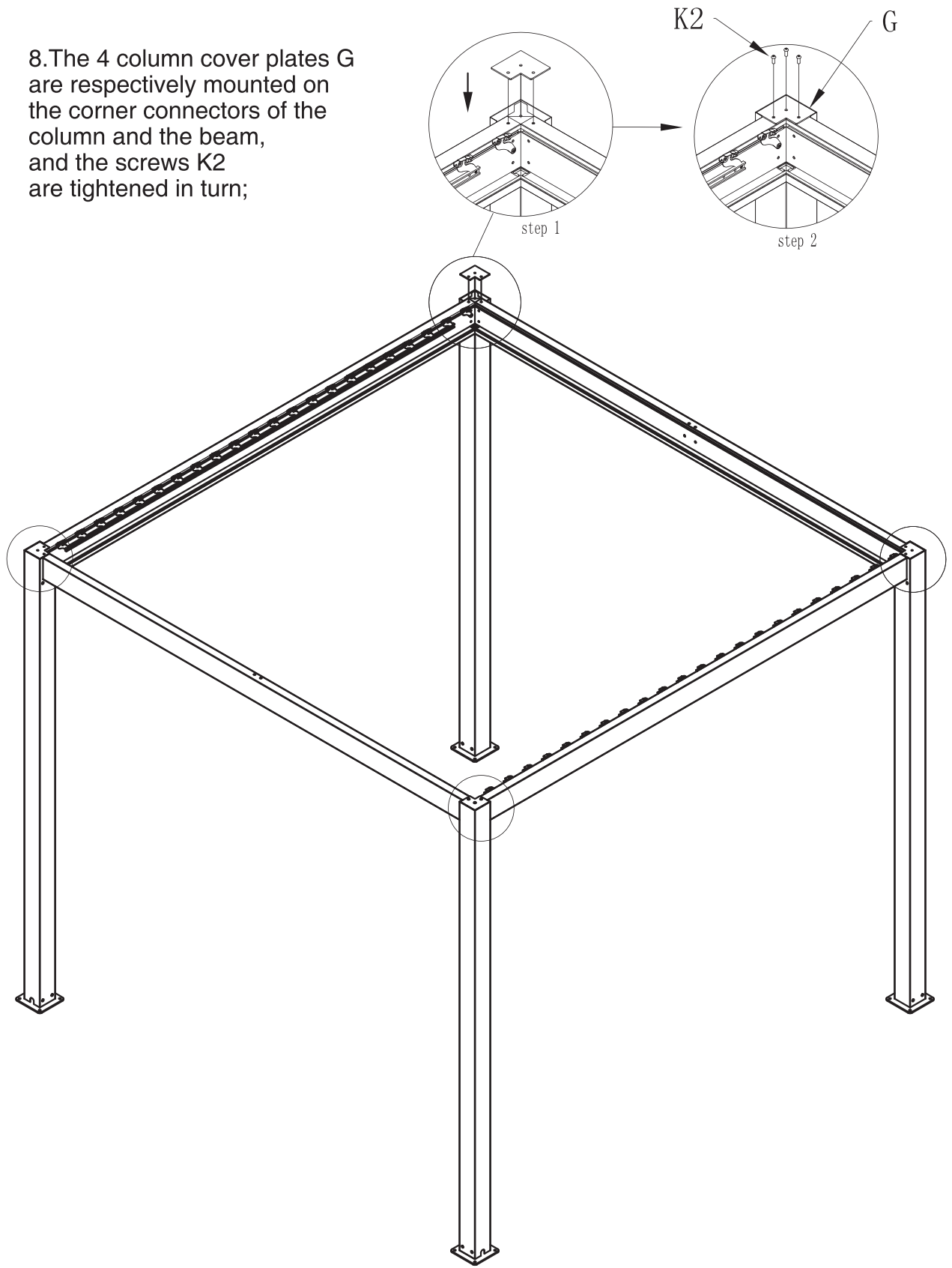
QTY:8PCS

7. Insert ends of the other front and rear beams C into the corner connectors on the column, and tighten the screws K1;

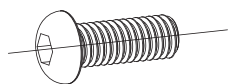


QTY:4PCS

8. The 4 column cover plates G are respectively mounted on the corner connectors of the column and the beam, and the screws K2 are tightened in turn;

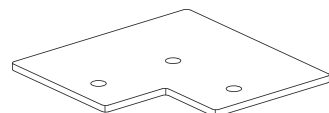


K2



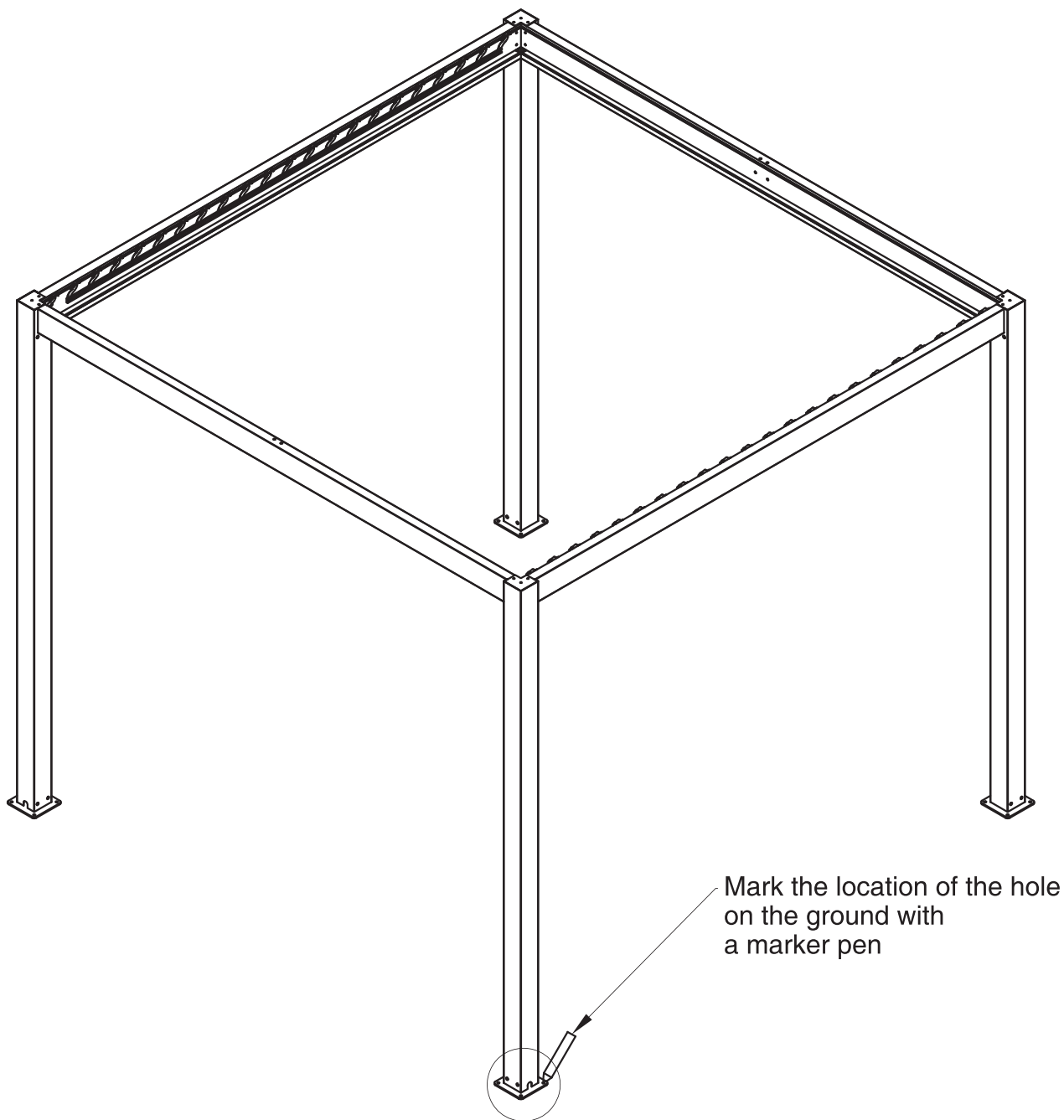
QTY:12PCS

G



QTY:4PCS

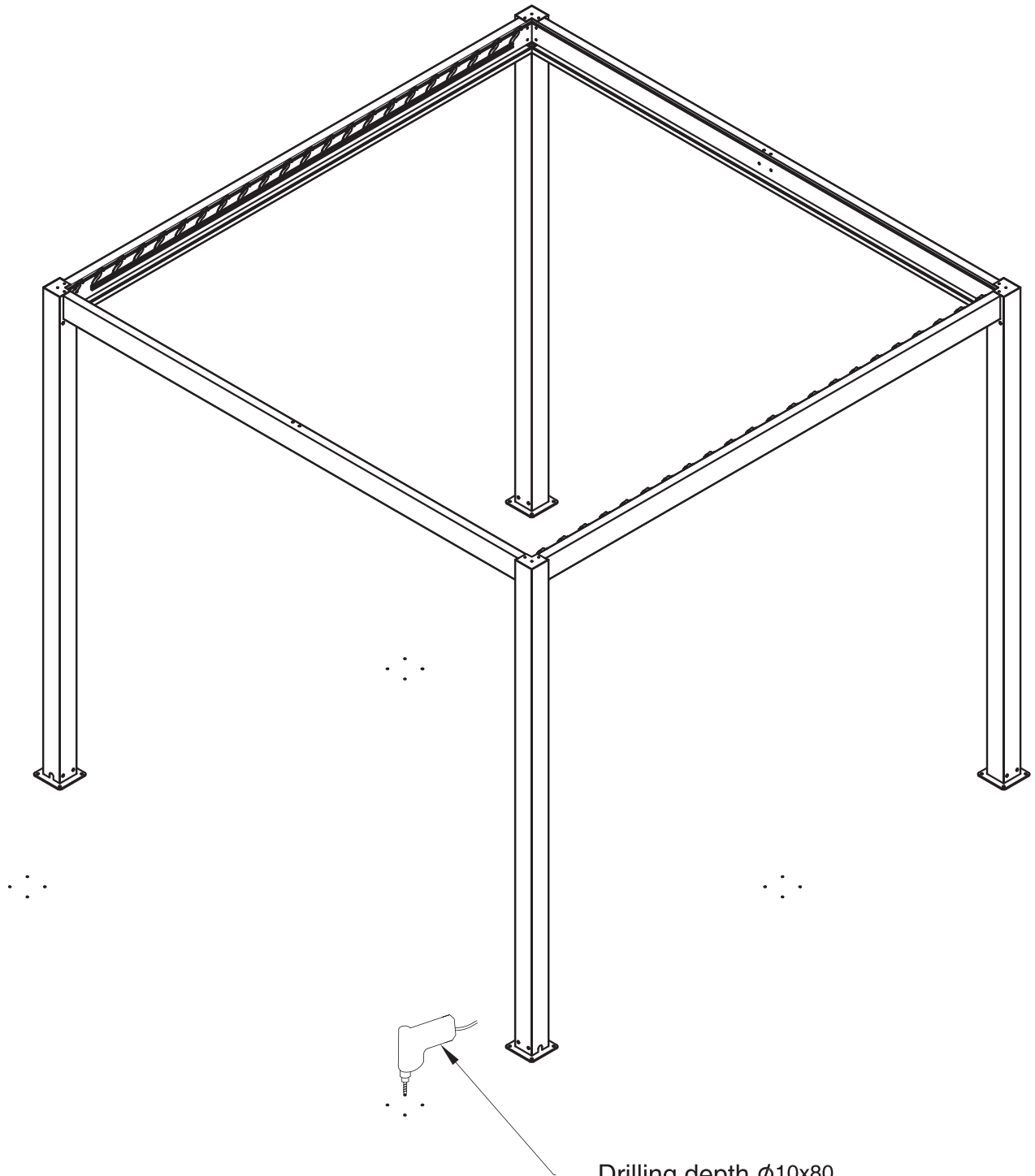
9. Adjust the position of the four columns so that they are perpendicular to the ground. Meanwhile, the width of the top of each two columns should be measured in accordance with the width of the bottom of each two columns. Then use a marker pen to mark 16 holes on the ground, which should be corresponding to the holes in the bottom palte.



Use tools: marker pen
(self-provided by installation workers)

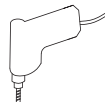


10. Remove the product from the mark and drill holes of $\phi 10 \times 80$ at 16 mark positions on the ground with a percussion drill.



Drilling depth $\phi 10 \times 80$
Drilling quantity 16pcs

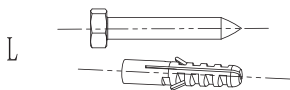
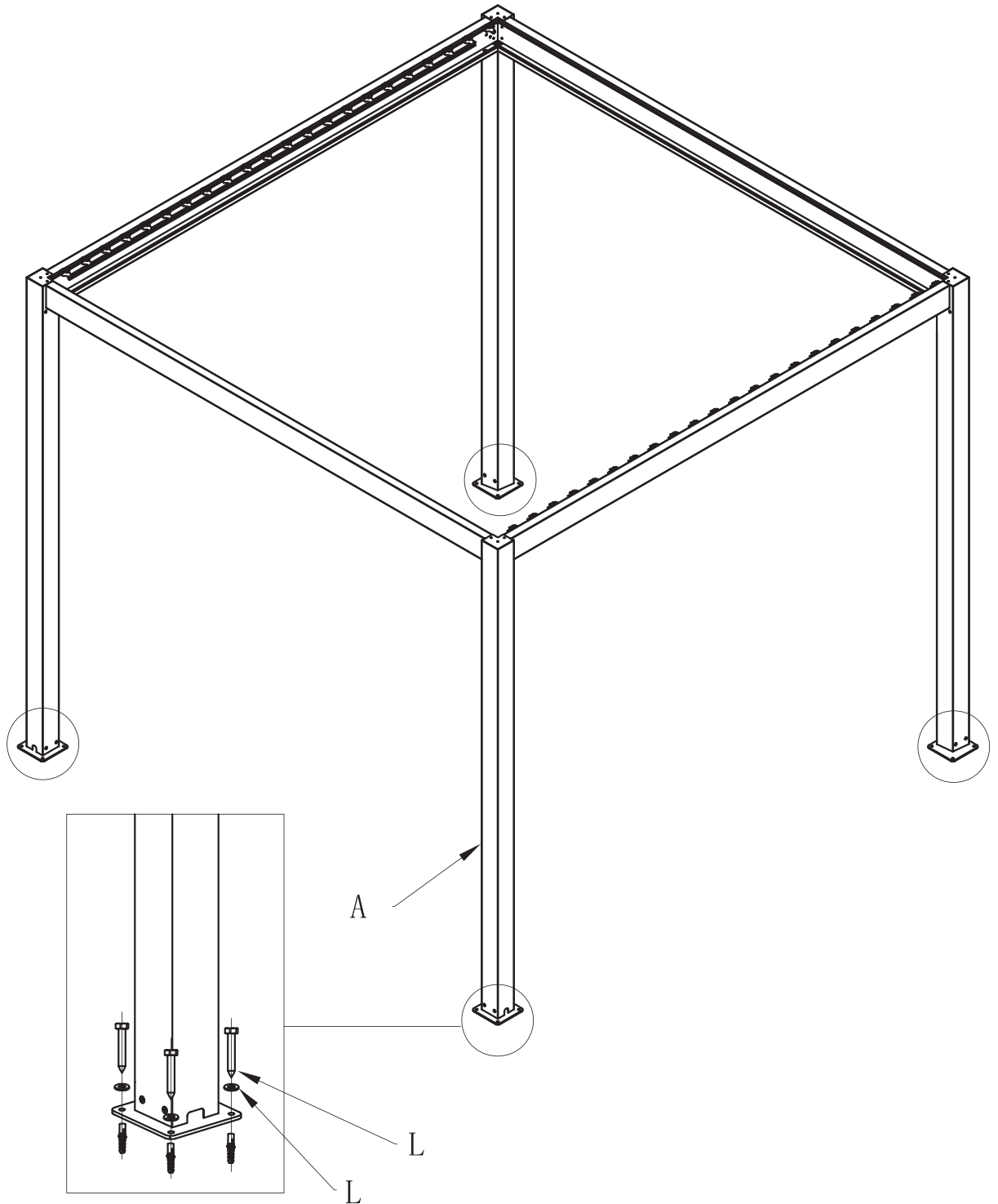
Use Tools: Percussion Drill
(Self-provided by Installation workers)



Use Tool: Percussion Bit $\phi 10$
(Self-provided by Installation workers)

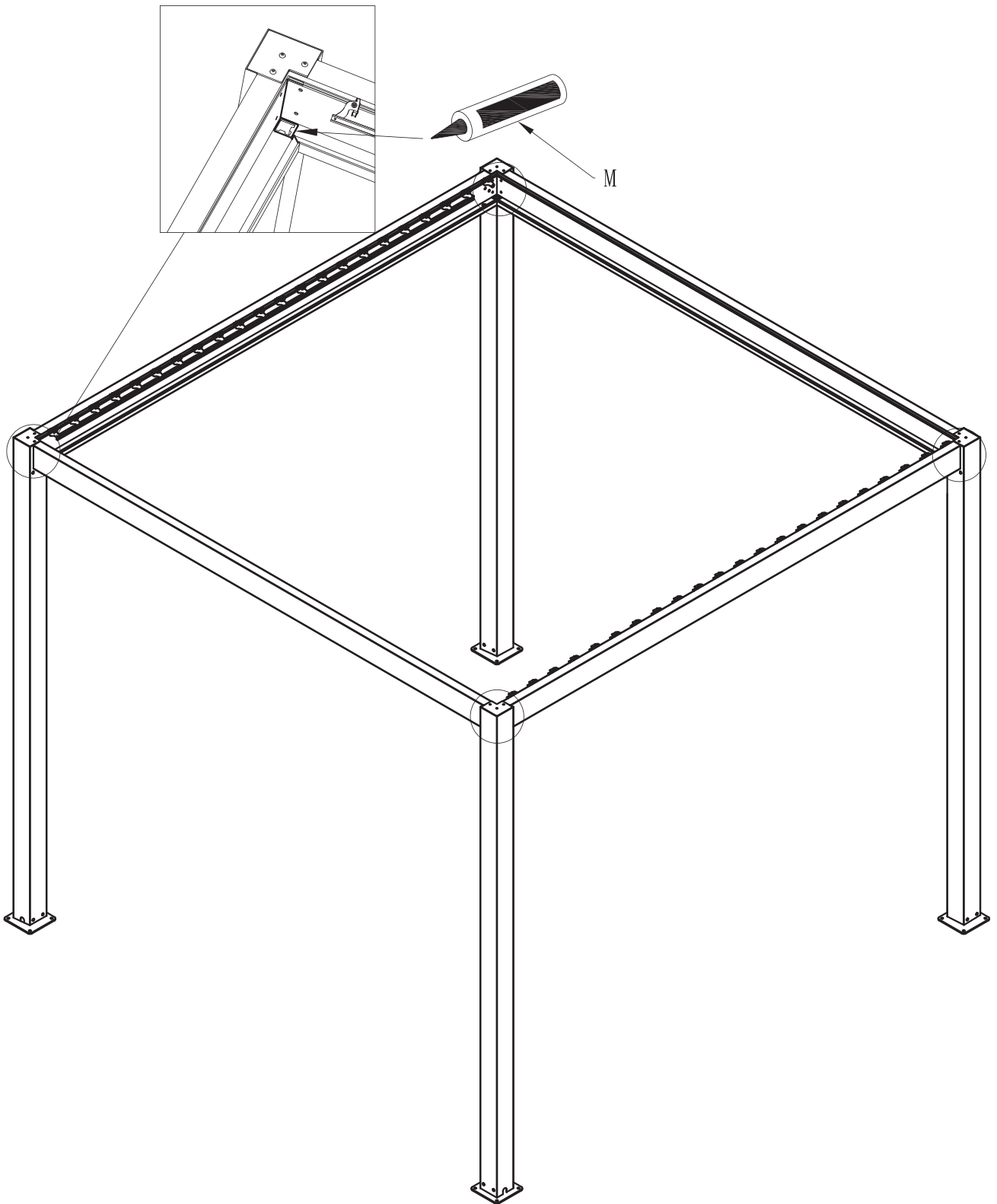


11. Place the plastic expansion pipe in the bottom hole of the column; then move the product back to the hole drilled, align holes of the column bottom plates with the hole drilled on the ground; then set L1 into the woodworking screw L, and fix it with the ground separately.

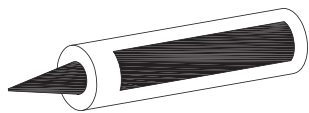


QTY: 16PCS

12. Coat the glass glue M evenly on the drain of column and joints of beams.

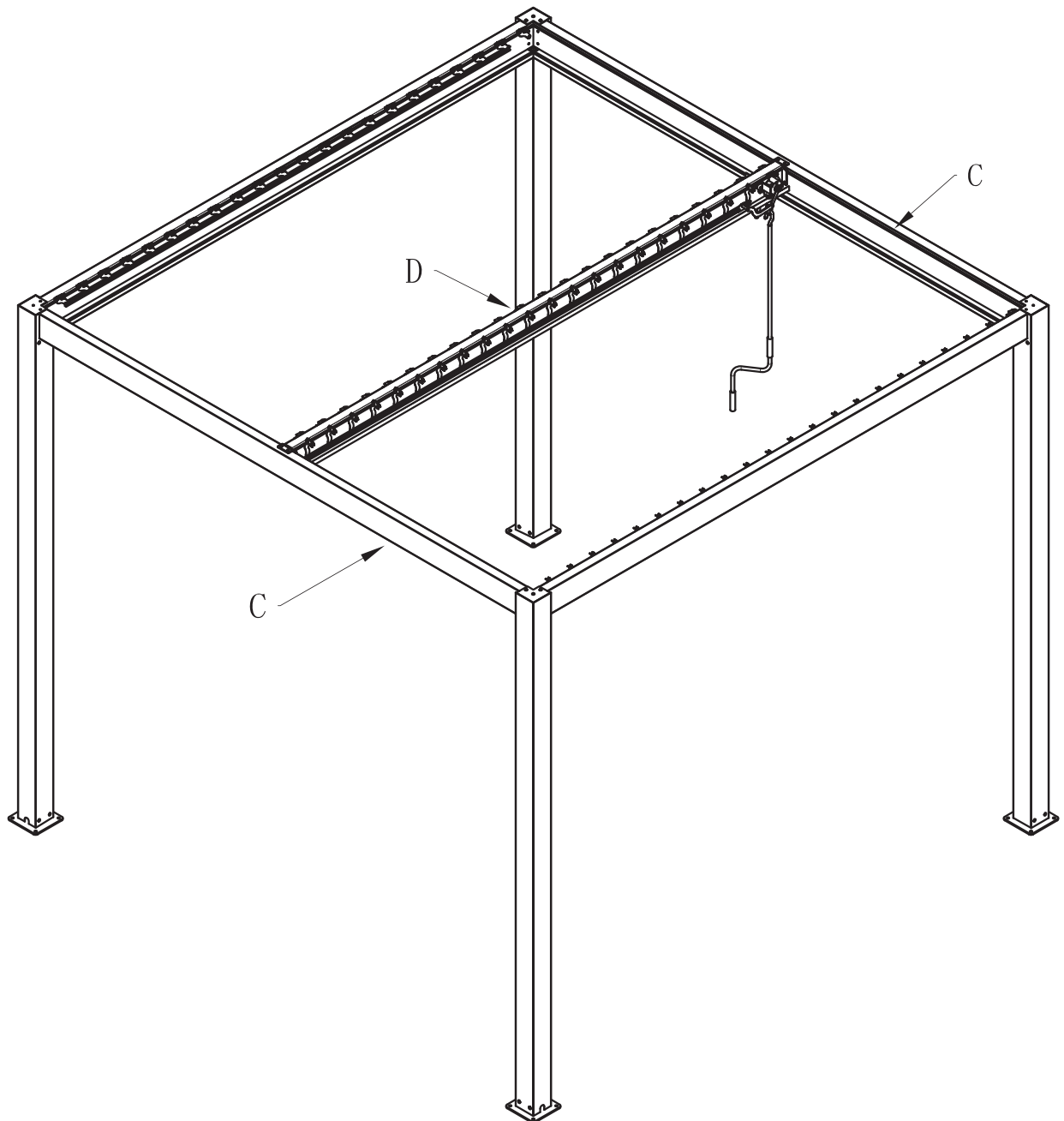


M

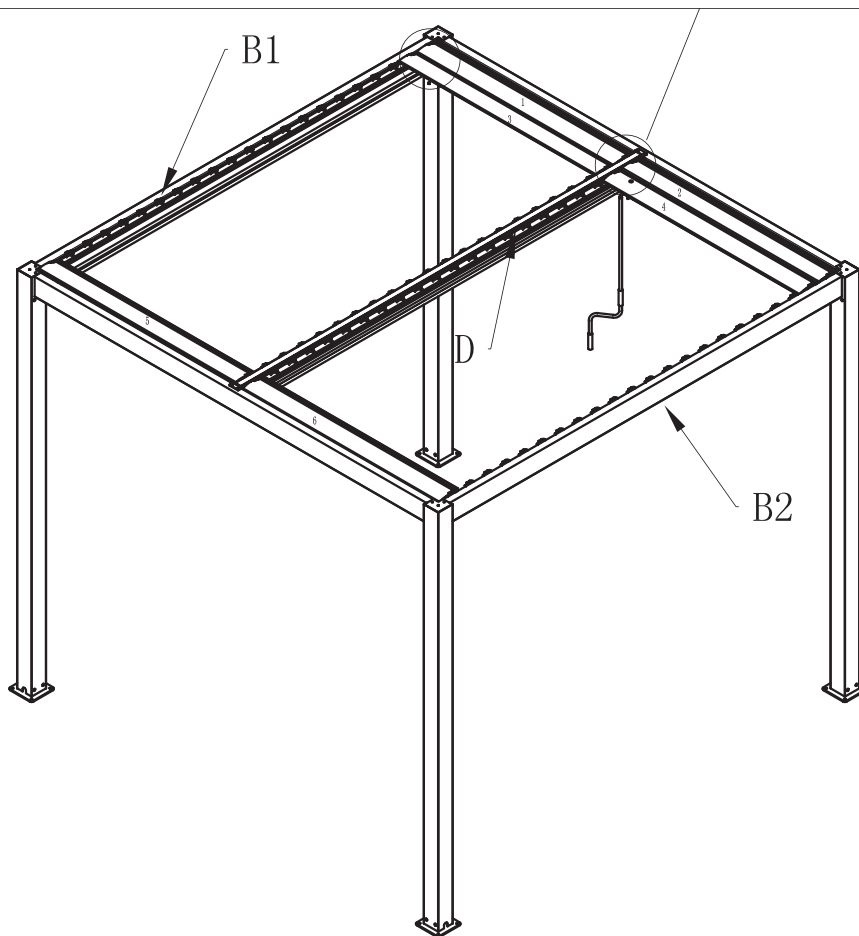
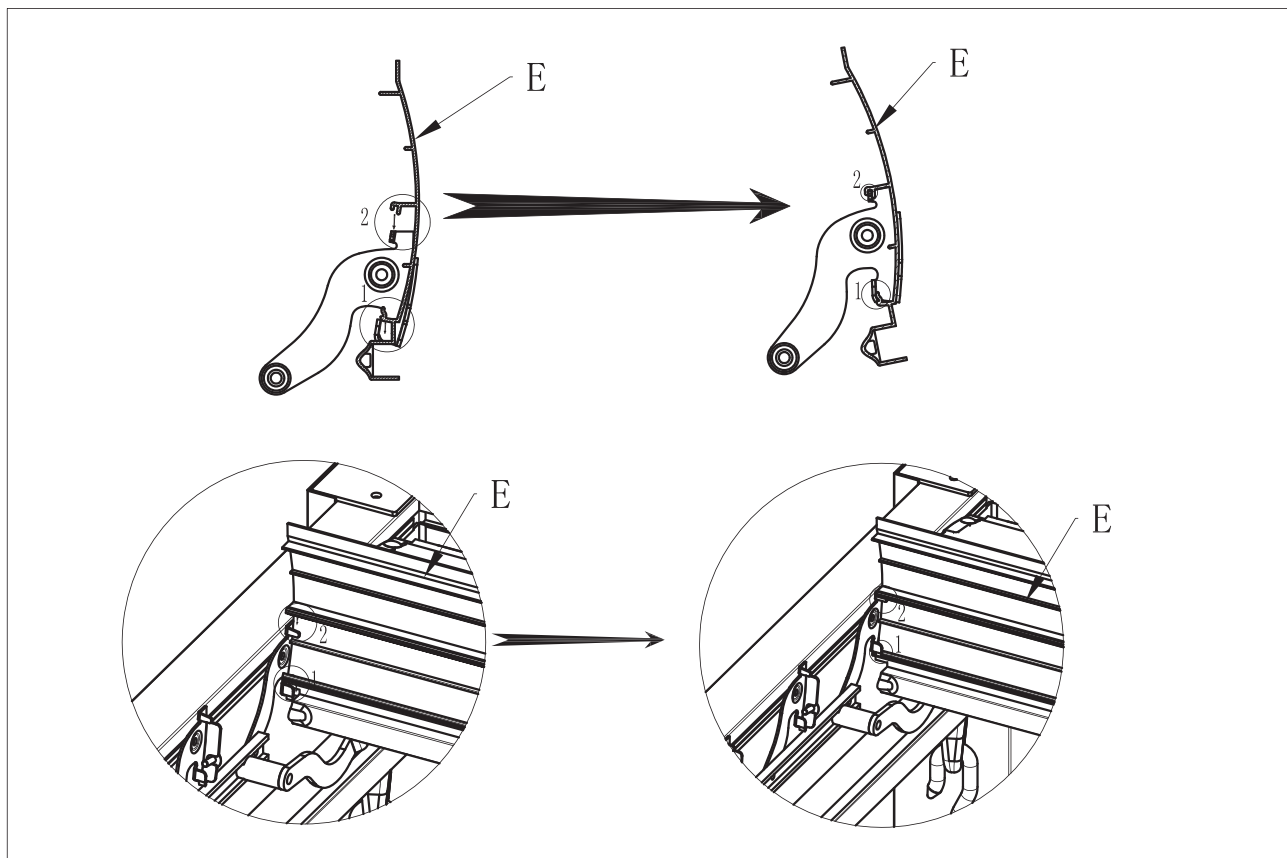


QTY: 1PC

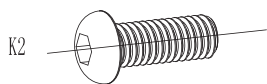
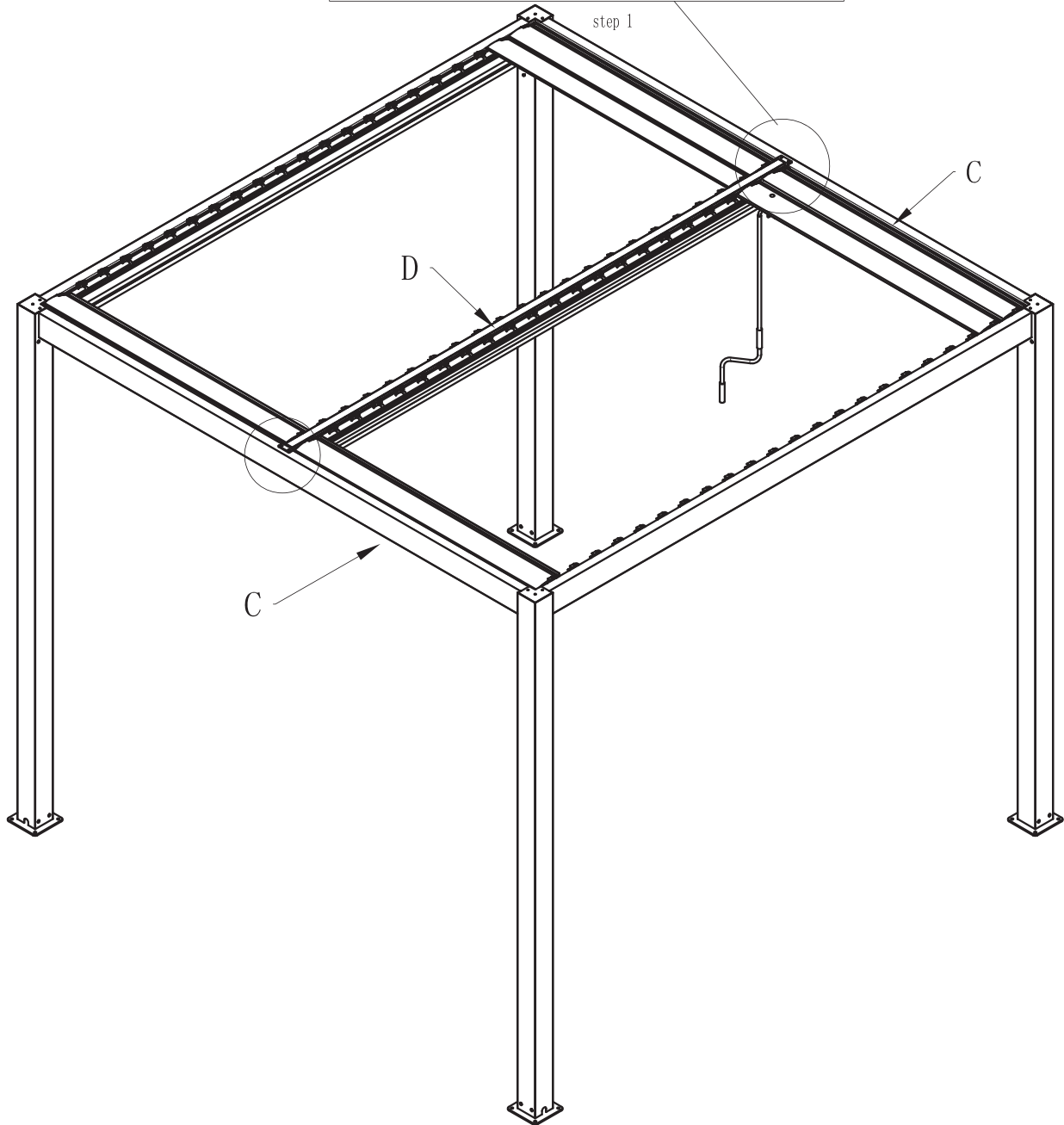
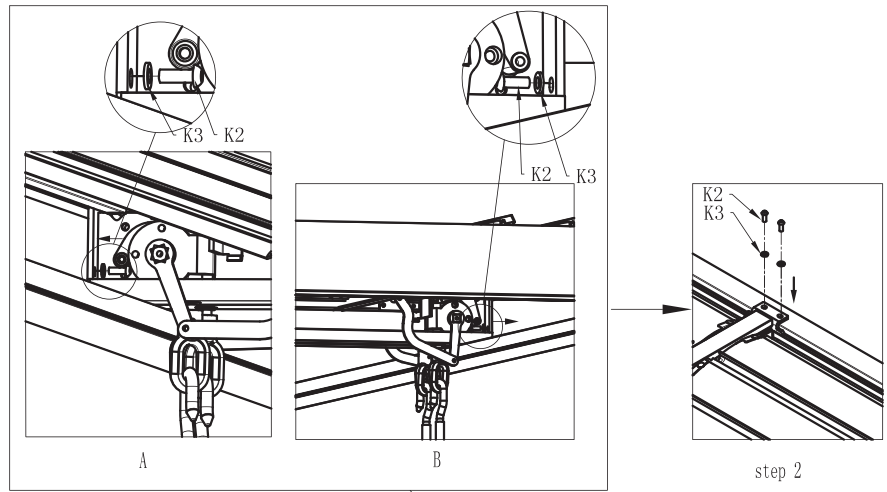
13. Place the middle beam D on the front and rear beams C.



14. Insert 6pcs flap (E) first (4pieces at gear box side and 2pcs at other side) on the end of the brackets on both sides of the beams (B1-D and B2-D), and press down on the slat as shown in the sketch below to secure it.



15. First, fix screw K2 with gasket K3 align with hole below the beam D, then same to beam C. Insert the other flap in turn.

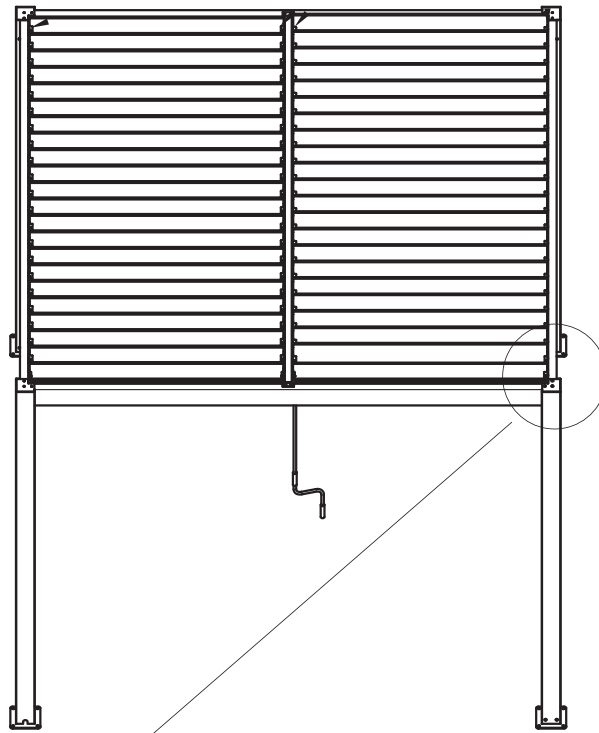


QTY: 8PCS

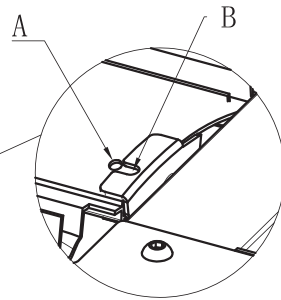
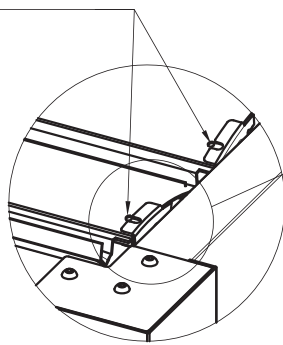


QTY: 8PCS

16. Adjust according to below steps if the pergola can't close completely

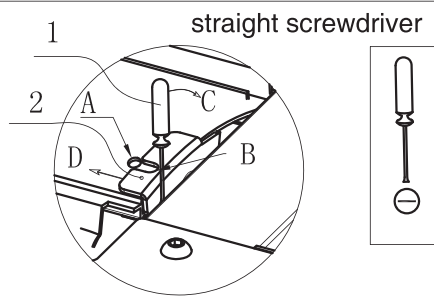


A: flap
B: flap support

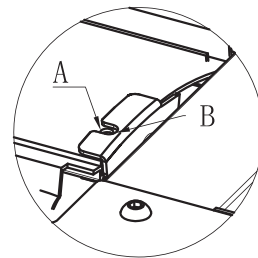


Hole "A" and hole "B"
must be concentric

Adjust solution if hole "A" and hole "B" are not concentric



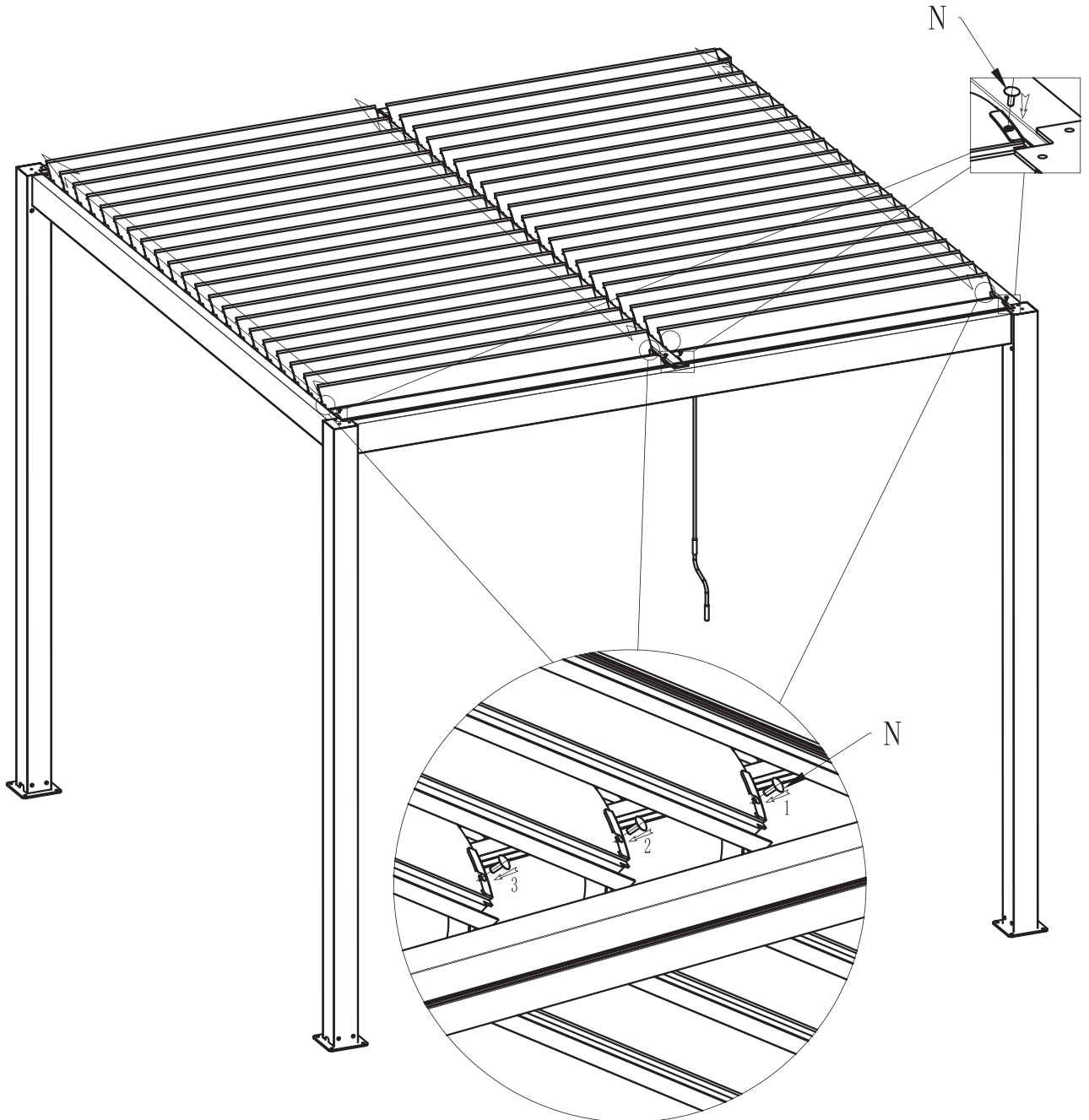
Adjusting the B flap support with
straight screwdriver as picture shown.



Hole "A" and "B" are concentric
after adjusting

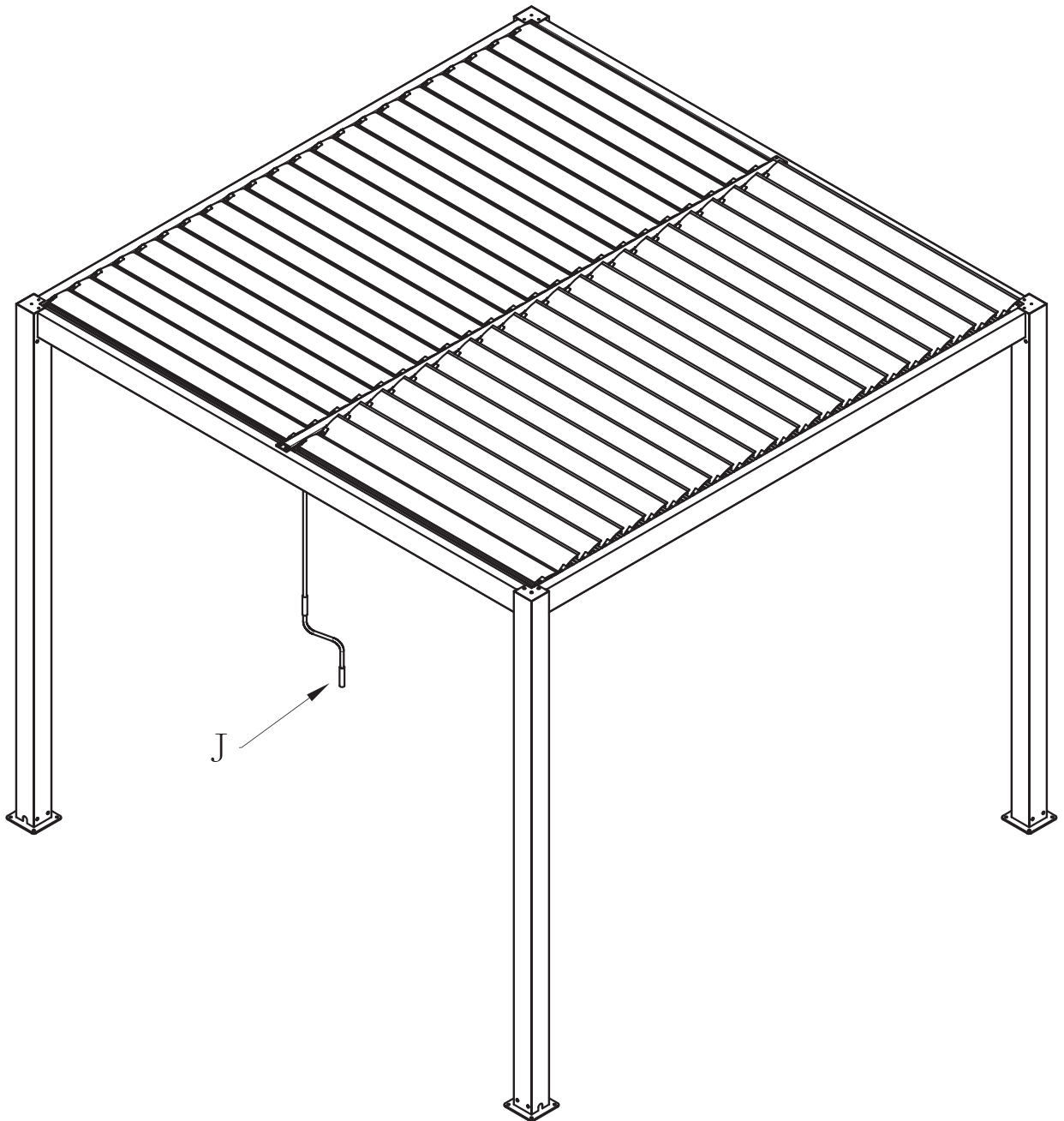
17. Insert plastic jam N into two sides of each flap.

1. The following image shows how to insert plastic jam into foremost flap.



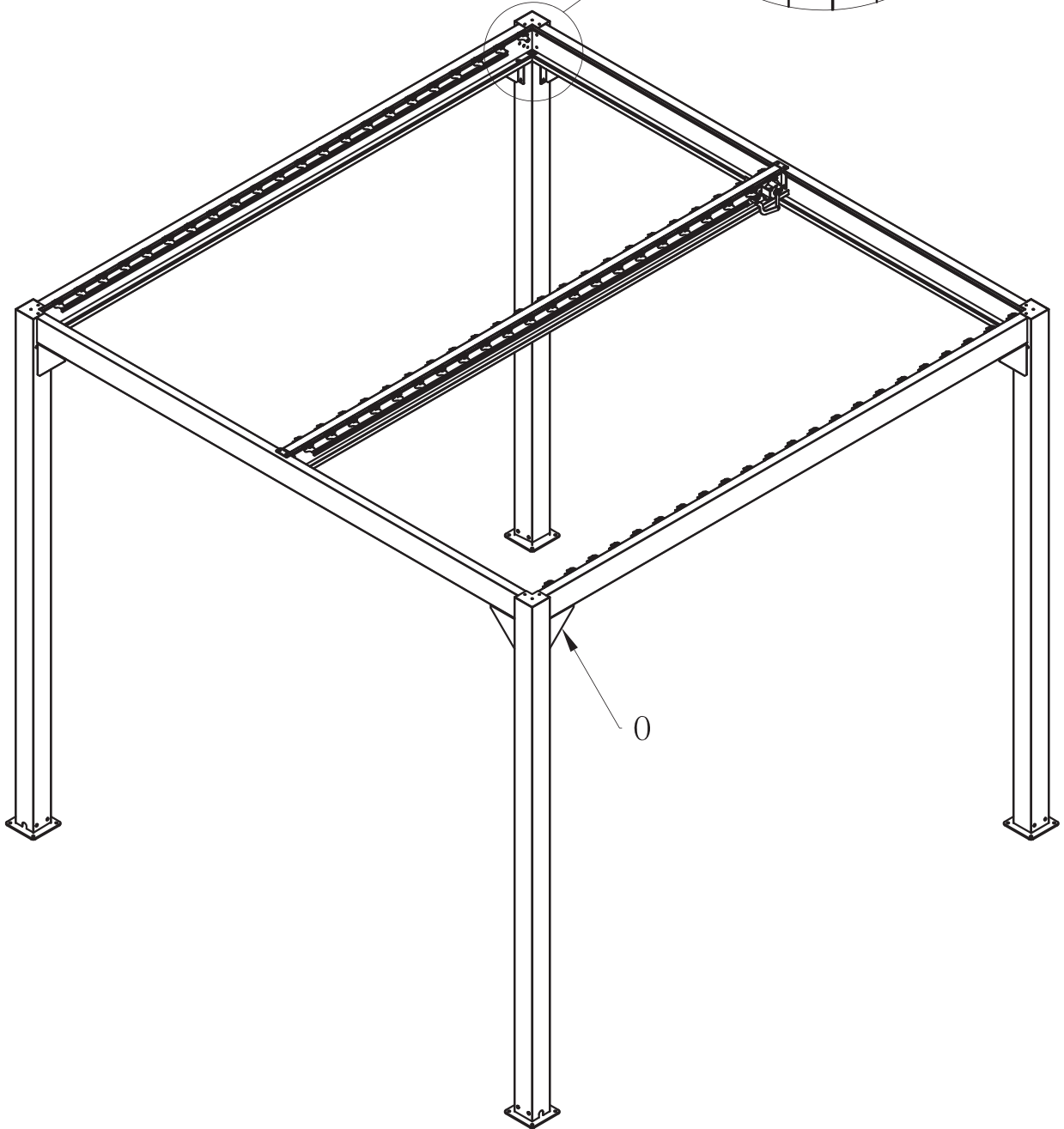
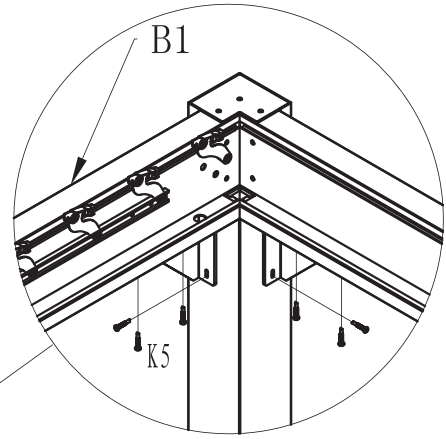
2. Turn on the flap to half position, insert the plastic jam N into hole of two ends of each flap in turn.

18. Put the hand crank J on, turn to open/close the flap; installation completed.

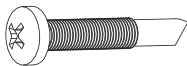


Install corner support

Align the corner support O with the bottom edge of the beam B1, fix it with self-drilling screw K5, install the remaining corner support in turn.



K5



QTY:32PCS

O



QTY:8PCS