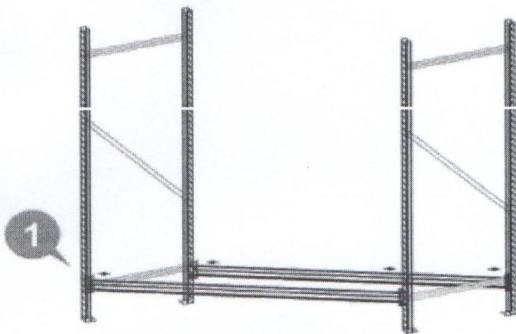
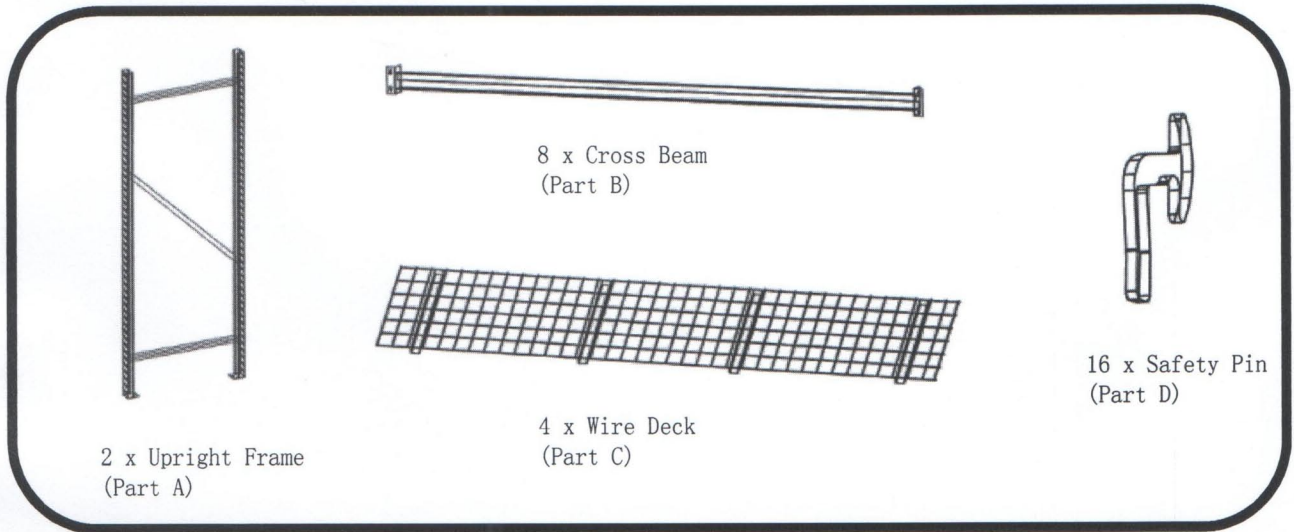
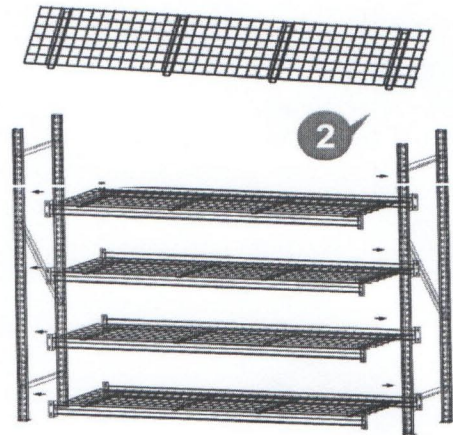


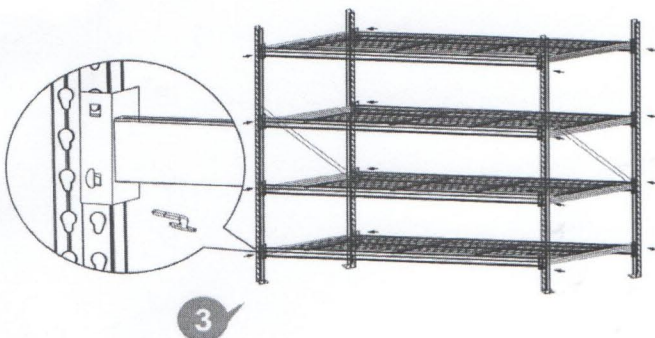
4 Tier Steel Shelves



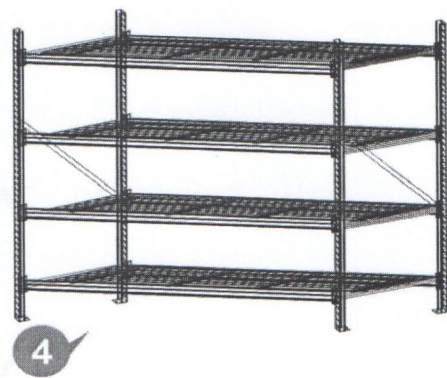
1. Pick up one Cross Beam (part B) and attached to the column of Upright Frame (part A) by inserting the two clips on the bracket of Cross Beam into the two keyholes of the column. You need to insert the clips starting from the outside and then tap down to seat the beam into the column in place.



2. Drop the Wire Decks (part C) between the lower flanger of two Cross Beam (part B) properly. Make sure the bottom support rails of the wire decks go all the way into the slots of Cross Beam.



3. Insert the Safety Pins (part D) into the joint hole between Upright Frame & Cross Beam.



4. The shelf is assembled and ready to use.